

Welcome Aboard!

GB

Proper care and regular maintenance is an important part in keeping your Mercury Product operating at peak efficiency for maximum performance and economy. The enclosed Owner's Registration Card is your key to trouble-free family fun. Refer to your «Operation and Maintenance Manual» for full details of your warranty coverage.

F *Bienvenue à bord!*

Il convient de prendre soin de son matériel Mercury et de l'entretenir régulièrement afin de préserver des performances et un rendement optimaux.

La carte d'inscription du propriétaire du propriétaire ci-inclue vous garantit des loisirs en famille sans soucis. Reportez-vous au manuel d'utilisation et de maintenance pour obtenir de plus amples informations sur votre garantie.

NL *Welkom aan boord!*

Een juiste behandeling en regelmatig onderhoud zijn een belangrijk gegeven om uw Mercury product optimaal te laten fungeren voor maximum prestaties en economisch gebruik. De bijgesloten eigenaars Registratiekaart is de sleutel tot probleemloos vaarplezier. Raadpleeg uw «Operation and Maintenance Manual» voor een volledige beschrijving van gebruik en onderhoud.

I *Benvenuti a bordo!*

Un uso appropriato ed una manutenzione regolare sono garanzia di perfetta efficienza del vostro prodotto Mercury per ottenere il massimo rendimento con consumi ottimali. L'accluso tagliando di registrazione è la chiave per risolvere i problemi tecnici ove si presentassero. Consultate il manuale d'uso e manutenzione per tutti i dettagli sulla garanzia.

D *Willkommen an Bord!*

Sorgfältige Behandlung und regelmäßiger Kundendienst sind eine wichtige Voraussetzung, um die dauernde Funktionstüchtigkeit Ihres Mercury Motors zu erhalten, um seine Maximalleistung und Wirtschaftlichkeit nutzen zu können. Die beigegefügte Eigner-Registrierkarte ist Ihr Schlüssel für den ungetrübten Familienspaß. Bitte informieren sie sich anhand der Bedienungsanleitung und Kundendienst- und Gewährleistungsinformation über die Einzelheiten der Garantiebestimmungen.

E *Bienvenido a bordo!*

El cuidado y mantenimiento adecuado de su motor Mercury es de gran importancia, si desea conseguir las mejores prestaciones y por tanto, el máximo rendimiento y menor consumo de combustible. La Tarjeta de Venta adjunta, es su seguro de diversión familiar sin problemas. Para más información sobre la cobertura de la garantía, consulte el «Manual de Uso y Mantenimiento».

P *Bem-vindo a bordo!*

Para que o seu motor Mercury tenha uma boa eficiência, um maior rendimento e economia, são necessários cuidados adequados e uma manutenção regular. O cartão de registro de propriedade é anexo e a sua chave para o divertimento familiar livre de problemas. Queira consultar o seu «Manual de Operação e Manutenção» que lhe fornece todos os detalhes sobre a garantia do seu motor.

DK *Velkommen ombord!*

Omhyggelig og regelmæssig pleje er en vigtig ting, for at De kan få det bedste ud af Deres Mercury produkt. Vedlagte registreringskort er Deres nøgle til problemfri familie sejlad. Se nærmere oplysninger om reklamátionsdækning i instruktionsbogen.

N *Velkommen ombord!*

God behandling og godt vedlikehold er en forutsetning for at din Mercury-motor gir deg topp ytelse og best mulig økonomisk drift. Vedlagte registreringskort er ditt dokument som viser at du har krav på rett behandling etter kjøpsloven.

S *Välkommen ombord!*

Regelbundet underhåll och skötsel är av största betydelse för att din Mercury-Produkt skall fungera effektivt och felfritt. Bifogat registreringskort är ditt leveransservicebevis och skall vara ifyllt för att gälla.

SF *Astu laivaan!*

Mahdollisimman hyvän suorituskyvyn ja polttoainetalouden saavuttamiseksi moottorin oikea hoito jo määräaikaishuollot ovat tärkeä osa moottorin hyvinvointia. Lue huolellisesti moottorin käyttö- ja huolto-ohjekirja. Kirjasta löydät ohjeet moottorin hoitoon ja huoltoon. Oheisessa taskussa on moottorin takuukortti joka on avain huolettomaan veneilyyn.

GR *ΚΑΛΩΣ ΗΛΘΑΤΕ*

Η κατάλληλη φροντίδα και κανονική συντήρηση είναι ένα σημαντικό τμήμα στη διατήρηση του Προϊόντος της Mercury, ώστε αυτό να λειτουργεί με τη μέγιστη αποτελεσματικότητα για τη μέγιστη απόδοση και οικονομία. Η εσώκλειστη Κάρτα Πιστοποίησης Κατόχου είναι το κλειδί σας για οικογενειακή διασκέδαση χωρίς προβλήματα. Αναφερθείτε το «Εγχειρίδιο Συντήρησης και Λειτουργίας» για πλήρης λεπτομέρειες όσον αφορά την κάλυψη της εγγύησης.

www.marinepower.com



GB — Is your engine properly registered for warranty purposes? Please check on www.marinepower.com. If necessary, please contact your local dealer.

F — Votre moteur est-il correctement enregistré pour bénéficier de la garantie Marine Power? Vous pouvez le vérifier sur www.marinepower.com. En cas de besoin, veuillez contacter votre concessionnaire.

I — La garanzia del Vostro motore è stata registrata? Potete controllarla sul sito www.marinepower.com. Se necessario contattate il Vostro Concessionario.

E — ¿Está su motor cubierto por la garantía? Compruébalo en www.marinepower.com. Si es necesario, contacta con su concesionario más próximo.

P — O seu motor está registado adequadamente para os efeitos de garantia? Por favor, compare-o na página web www.marinepower.com. Se for necessário, não duvide em contactar com o concessionário mais próximo.

GR — Ελέγξτε εάν ο κινητήρας είναι εγγεγραμμένος ουσώ στο www.marinepower.com. Αν χρειαστεί επικοινωνήστε με τον τοπικό αντιπρόσωπο.

D — Ist Ihr Motor sachgerecht zu Garantiezeiten registriert? Bitte konsultieren Sie: www.marinepower.com. Bei Bedarf, wenden Sie sich bitte an Ihren Händler vor Ort!

NL — Is uw motor correct geregistreerd voor garantie? Kijk het na op www.marinepower.com. Contacteer uw dealer indien nodig.

S — Är din motor garanterat registrerat? Kontrollera på www.marinepower.com. Kontakta din återförsäljare om så är nödvändigt.

N — Er din motor riktig registrert for garanti? Vennligst sjekk på www.marinepower.com. Hvis nødvendig, kontakt din lokale forhandler.

DK — Er din motor registreret af hensyn til garantien? Check venligst på www.marinepower.com. Hvis nødvendigt kontakt din lokale forhandler.

BF — Onko moottorisi rekisteröity takuuta varten? Voit tarkistaa asian internet osoitteesta www.marinepower.com. Jos tarpeellista, ota yhteys paikalliseen jälleenmyyjään.

RUS — Правильно ли зарегистрирован ваш двигатель относительно гарантийных обязательств? Проверьте, пожалуйста, это в Интернете на сайте www.marinepower.com. При необходимости свяжитесь, пожалуйста, с вашим дилером.

TU — Moottorin varaus onko täysin oikein? Käykää www.marinepower.com osoitteen kautta. Jos on tarpeen, ota yhteyttä lähimpään jälleenmyyjään.

PL — Czy Twój silnik został właściwie zarejestrowany dla celów gwarancyjnych? Sprawdź na stronie [HYPERLINK http://www.marinepower.com](http://www.marinepower.com). Jeśli istnieje taka potrzeba skontaktuj się z Twoim dealarem.



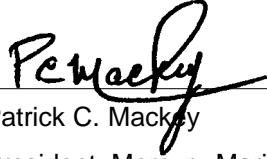
If the outboard motor's serial number plate contains the CE mark in the lower left-hand corner, the following statement applies:

This outboard motor manufactured by Mercury Marine, Fond du Lac, Wisconsin, USA or Marine Power Europe Inc. Park Industrial, de Petit-Rechain, Belgium complies with the requirements of the following directives and standards, as amended:

Recreational Craft Directive: 94/25/EC; std ISO 8665,
ISO 11547

Machinery Directive: 98/37/EC

EMC Directives: 89/336/EC; std. EN50081-1,
SAE J551 (CISPR Pub. 12).
EN 50082-1, IEC 61000 PT4-2,
IEC 61000 PT4-3,



Patrick C. Mackey

President, Mercury Marine, Fond du Lac, USA

European Regulations Contact:

Product Environmental Engineering Department, Mercury Marine,
Fond du Lac, WI USA

EUROPEAN COMMUNITY DECLARATION OF CONFORMITY

Issued in accordance with the
MARINE EQUIPMENT DIRECTIVE (MED) 96/98/EC
AND AMENDING DIRECTIVE 98/85/EC

This is to certify that, in compliance with the Council Directive 96/98/EC of December 20th, 1996 and amending Directive 98/85/EC of November 11th, 1998 on marine equipment :

MARINE POWER EUROPE, Inc.

Parc Industriel de Petit-Rechain
B-4800 VERVIERS
BELGIEN

Declares that the product detailed below has been manufactured in accordance with the requirements of Annex B, Module D, " Production Quality Assurance" system as approved by Lloyd's Register (Notified Body n5 0038) to conform to type as described in the following EC Type Examination Certificate as issued by Lloyd's Register (Notified Body n5 0038) in accordance with Annex B, Module B. In addition, the product detailed below bears the conformity mark (ship's wheel mark) on the transom bracket.

Certificate N°:	MED0050444 Issued December 4, 2000	MED0050443 Issued December 4, 2000
Product Reference:	MERCURY 90 (all versions)	MARINER 90 (all versions)
Product description:	Rescue Boat Propulsion Engine	

J. BRONCHART
General Manager

IMPORTANT NOTICE :

In accordance with the above-mentioned certificate :

- 1 Each engine shall be fitted with the manufacturer's recommended propeller, which when fitted to a rescue boat, shall also be fitted with a guard.
THE PROPELLER MAY NOT BE SUPPLIED AS FACTORY STANDARD EQUIPMENT.
THE PROPELLER GUARD IS NOT SUPPLIED AS FACTORY STANDARD EQUIPMENT.
- 2 When supplied for use on Fast Rescue Boats on Ro-ro Passenger ships to which IMO MSC/Circ.809 Annex applies, for compliance with Annex paragraph 4.1.8. the engine is to be equipped with the facilities necessary to enable it to be re-started following a capsized.
THESE FACILITIES ARE NOT SUPPLIED AS FACTORY STANDARD EQUIPMENT.

TABLE OF CONTENTS

Warranty Information

Transfer of Warranty	2
Warranty Registration	
United States and Canada	2
Outside United States and Canada	2
Mercury Marine Two Years Limited Warranty(Europe)	3
Mercury Marine ONE Year Limited Warranty(Confederation of Independent States, Middle- East, Africa)	4
3 Year Limited Warranty against Corrosion	5
Warranty Coverage and Exclusions	6

General Information

Boater's Responsibilities	7
Before Operating Your Outboard	7
Boat Horsepower Capacity	7
High-speed And High-performance Boat Operation	7
Outboard Remote Control Models	7
Remote Steering Notice	7
Lanyard Stop Switch	7
Protecting People In The Water	8
Passenger Safety Message - Pontoon Boats And Deck Boats	8
Wave And Wake Jumping	8
Impact With Underwater Hazards	9
Exhaust Emissions	9
Selecting Accessories For Your Outboard	10
Safe Boating Suggestions	10
Recording Serial Number	10
Specifications	10
Component Identification	11

Installation

Installing outboard	11
Propeller selection	11

Transporting

Trailer boat/outboard	11
-----------------------	----

Fuel & Oil

Gasoline Recommendations	11
Oil Recommendation	12
Fuel And Oil Ratio	12
Mixing Gasoline And Oil	12
Filling Oil Injection System	12
Filling Fuel Tank	12

Features & Controls

Remote Control Features	13
Warning System	13
Power Trim And Tilt (If Equipped)	13
Manual Tilt System	15
Throttle Grip Friction Adjustment - Tiller Handle Models	16
Steering Friction Adjustment – Tiller Handle Models	16
Trim Tab Adjustment	16

Operation

Pre-starting Check List	16
Operating In Freezing Temperatures	16
Operating In Salt Water Or Polluted Water	16
Operating At High Elevations	16
Setting Trim Angle While Running Engine At Idle Speed	16
Engine Break-in Procedure	17
Starting The Engine	17
Gear Shifting	17
Stopping The Engine	18
Emergency Starting	18

Maintenance

Outboard Care	18
Selecting Replacement Parts For Your Outboard	18
Inspection And Maintenance Schedule	19
Flushing The Cooling System	19
Flushing The Cooling System – Models With Hose Flush Attachment	19
Top Cowl Removal And Installation	20
Battery Inspection	20
Fuel System	20
Steering Link Rod Fasteners	20
Fuse Replacement	21
Corrosion Control Anode	21
Propeller Replacement	21
Spark Plug Inspection	21
Lubrication Points	22
Checking Power Trim Fluid	22
Gear Case Lubrication	22
Submerged Outboard	22

Storage

Storage Preparation	23
---------------------	----

Troubleshooting

Troubleshooting	23
-----------------	----

Owner Service Assistance

Local Repair Service	24
Service Away From Home	24
Parts and Accessories Inquires	24
Service Assistance	24
Mercury Marine Service Offices	25

Maintenance Log

Maintenance Log	26
-----------------	----

The description and specifications contained herein were in effect at the time this manual was approved for printing. Mercury Marine, whose policy is one of continued improvement, reserves the right to discontinue models at any time, to change specifications, designs, methods, or procedures without notice and without incurring obligation.

Mercury Marine, Fond du Lac, Wisconsin, U.S.A.

© 2002, Mercury Marine

The following are registered trademarks of Brunswick Corporation: AutoBlend, Force, Jet-Prop, Mariner, Merc, MerCathode, MerCruiser, Mercury, Mercury Marine, Quicksilver, RideGuide and Thruster

WARRANTY INFORMATION

092

TRANSFER OF WARRANTY

The limited warranty is transferable to a subsequent purchaser, but only for the remainder of the unused portion of the limited warranty. This will not apply to products used for commercial applications.

DIRECT SALE BY OWNER

The second owner can be registered as the new owner and retain the unused portion of the limited warranty by sending the former owner's plastic Owner Warranty Registration Card and a copy of the bill of sale to show proof of ownership. In the United States and Canada, mail to:

Mercury Marine
W6250 W. Pioneer Road
P.O. Box 1939
Fond du Lac, WI 54936-1939
Attn: Warranty Registration Department

A new Owner Warranty Registration Card will be issued with the new owner's name and address. Registration records will be changed on the factory computer registration file.

There is no charge for this service.

For products purchased outside the United States and Canada, contact the distributor in your country, or the Mercury Marine Service Office closest to you.

091

WARRANTY REGISTRATION

United States And Canada

1. It is important that your selling dealer fills out the Warranty Registration Card completely and mails it to the factory immediately upon sale of the new product.
2. It identifies name and address of the original purchaser, product model and serial number(s), date of sale, type of use and selling dealer's code, name and address. The dealer also certifies that you are the original purchaser and user of the product.
3. Upon receipt of the Warranty Registration Card at the factory, you will be issued a plastic Owner Warranty Registration Card which is your only valid registration identification. It must be presented to the servicing dealer should warranty service be required. Warranty claims will not be accepted without presentation of this card.
4. A temporary Owner Warranty Registration Card will be presented to you when you purchase the product. It is valid only for 30 days from date of sale while your plastic Owner Warranty Registration Card is being processed. Should your product need service during this period, present the temporary registration card to the dealer. He will attach it to your warranty claim form.
5. Because of your selling dealer's continuing personal interest in your satisfaction, the product should be returned to him for warranty service.
6. If your plastic card is not received within 30 days from date of new product sale, please contact your selling dealer.
7. The limited warranty is not effective until the product is registered at the factory.

Note: Registration lists must be maintained by factory and dealer on marine products sold in the United States, should notification under the Federal Boat Safety Act be required.

092

WARRANTY REGISTRATION

Outside The United States And Canada

1. It is important that your selling dealer fills out the Warranty Registration Card completely and mails it to the distributor or Marine Power Service Center responsible for administering the warranty registration/claim program for your area.
2. The Warranty Registration Card identifies your name and address, product model and serial number(s), date of sale, type of use and the selling distributor's/dealer's code number, name and address. The distributor/dealer also certifies that you are the original purchaser and user of the product.
3. A copy of the Warranty Registration Card, designated as the "Purchaser's Copy", MUST be given to you immediately after the card has been completely filled out by the selling distributor/dealer. This card represents your factory registration identification, and should be retained by you for future use when required. Should you ever require warranty service on this product, your dealer may ask you for the Warranty Registration Card to verify date of purchase and to use the information on the card to prepare the warranty claim form(s).
4. In some countries, the Marine Power Service Center will issue you a permanent (plastic) Warranty Registration Card within 30 days after receiving the "Factory Copy" of the Warranty Registration Card from your distributor/dealer. If you receive a plastic Warranty Registration Card, you may discard the "Purchaser's Copy" that you received from the distributor/dealer when you purchased the product. Ask your distributor/dealer if this plastic card program applies to you.
5. For further information concerning the Warranty Registration Card and its relationship to Warranty Claim processing, refer to the "International Warranty".

IMPORTANT: Registration lists must be maintained by the factory and dealer in some countries by law. It is our desire to have ALL products registered at the factory should it ever be necessary to contact you. Make sure your dealer/distributor fills out the warranty registration card immediately and sends the factory copy to the Marine Power International Service Center for your area.

MERCURY MARINE TWO YEARS LIMITED WARRANTY (EUROPE)

WHAT IS COVERED

Mercury Marine warrant each new Mercury Outboard, Mariner Outboard, Jet Products, Thruster Electric Trolling Motors, Mercruiser Inboard or Sterndrive engine products to be free of defects in material and workmanship during the period described below.

DURATION OF COVERAGE

This Limited Warranty provides coverage for two (2) years from the date the product is first sold to a recreational use retail purchaser, or the date on which the product is first put into service, whichever occurs first. Commercial users of these products receive warranty coverage of two (2) years from the date of first retail sale, or the accumulation of 500 hours of operation, whichever occurs first. Commercial use is defined as any work or employment related use of the product, or any use of the product which generates income, for any part of the warranty period, even if the product is only occasionally used for such purposes. The repair or replacement of parts, or the performance of service under this warranty, does not extend the life of this warranty beyond its original expiration date. Unexpired warranty coverage can be transferred to one recreational use to a subsequent recreational use customer upon proper re-registration of the product.

CONDITIONS THAT MUST BE MET IN ORDER TO OBTAIN WARRANTY COVERAGE

Warranty coverage is available only to retail customers that purchase from a Dealer authorized by Mercury Marine to distribute the product in the country in which the sale occurred, and then only after the Mercury Marine specified pre-delivery inspection process is completed and documented. Warranty coverage becomes available upon proper registration of the product by the authorized dealer. Inaccurate warranty registration information regarding recreational use, or subsequent change of use from recreational to commercial (unless properly re-registered) may void the warranty at the sole discretion of Mercury Marine. Routine maintenance outlined in the Operation and Maintenance Manual must be timely performed in order to maintain warranty coverage. If this maintenance is performed by the retail customer Mercury Marine reserves the right to make future warranty coverage contingent on proof of proper maintenance.

WHAT MERCURY WILL DO

Mercury's sole and exclusive obligation under this warranty is limited to, at our option, repairing a defective part, replacing such part or parts with new or Mercury Marine certified re-manufactured parts, or refunding the purchase price of the Mercury product. Mercury reserves the right to improve or modify products from time to time without assuming an obligation to modify products previously manufactured.

HOW TO OBTAIN WARRANTY COVERAGE

The customer must provide Mercury with a reasonable opportunity to repair, and reasonable access to the product for warranty service. Warranty claims shall be made by delivering the product for inspection to a Mercury dealer authorized to service the product. If purchaser cannot deliver the product to such a dealer, written notice must be given to Mercury. We will then arrange for the inspection and any covered repair. Purchaser in that case shall pay for all related transportation charges and/or travel time. If the service provided is not covered by this warranty, purchaser shall pay for all related labor and material, and any other expenses associated with that service. Purchaser shall not, unless requested by Mercury, ship the product or parts of the product directly to Mercury. The warranty registration card is the only valid registration identification and must be presented to the dealer at the time warranty service is requested in order to obtain coverage.

WHAT IS NOT COVERED

This limited warranty does not cover routine maintenance items, tune ups, adjustments, normal wear and tear, damage caused by abuse, abnormal use, use of a propeller or gear ratio that does not allow the engine to run in its recommended wide-open-throttle RPM range (see the Operation and Maintenance Manual), operation of the product in a manner inconsistent with the recommended operation/duty cycle section of the Operation and Maintenance Manual, neglect, accident, submersion, improper installation (proper installation specifications and techniques are set forth in the installation instructions for the product), improper service, use of an accessory or part not manufactured or sold by us, jet pump impellers and liners, operation with fuels, oils or lubricants which are not suitable for use with the product (see the Operation and Maintenance Manual), alteration or removal of parts, or water entering the engine through the fuel intake, air intake or exhaust system. Use of the product for racing or other competitive activity, or operating with a racing type lower unit, at any point, even by a prior owner of the product, voids the warranty.

Expenses related to haul-out, launch, towing, storage, telephone, rental, inconvenience, slip fees, insurance coverage, loan payments, loss of time, loss of income, or any other type of incidental or consequential damages are not covered by this warranty. Also, expenses associated with the removal and/or replacement of boat partitions or material caused by boat design for access to the product are not covered by this warranty.

No individual or entity, including Mercury Marine authorized dealers, has been given authority by Mercury Marine to make any affirmation, representation or warranty regarding the product, other than those contained in this limited warranty, and if made, shall not be enforceable against Mercury Marine.

For additional information regarding events and circumstances covered by this warranty, and those that are not, see the Warranty Coverage section of the Operation and Maintenance Manual, incorporated by reference into this warranty.

DISCLAIMERS AND LIMITATIONS:

THE IMPLIED WARRANTIES OF MERCHANTABILITY AND FITNESS FOR A PARTICULAR PURPOSE ARE EXPRESSLY DISCLAIMED. TO THE EXTENT THAT THEY CANNOT BE DISCLAIMED, THE IMPLIED WARRANTIES ARE LIMITED IN DURATION TO THE LIFE OF THE EXPRESS WARRANTY. INCIDENTAL AND CONSEQUENTIAL DAMAGES ARE EXCLUDED FROM COVERAGE UNDER THIS WARRANTY. SOME STATES/COUNTRIES DO NOT ALLOW FOR THE DISCLAIMERS, LIMITATIONS AND EXCLUSIONS IDENTIFIED ABOVE, AS A RESULT, THEY MAY NOT APPLY TO YOU. THIS WARRANTY GIVES YOU SPECIFIC LEGAL RIGHTS, AND YOU MAY ALSO HAVE OTHER LEGAL RIGHTS WHICH VARY FROM STATE TO STATE AND COUNTRY TO COUNTRY.

MERCURY MARINE ONE YEAR LIMITED WARRANTY (CONFEDERATION OF INDEPENDENT STATES, MIDDLE- EAST, AFRICA)

WHAT IS COVERED

Mercury Marine warrant each new Mercury outboard, Mariner outboard, Jet Products, Thruster Electric Trolling Motors, Mercruiser Inboard or Stern drive engine products to be free of defects in material and workmanship during the period described below.

DURATION OF COVERAGE

This Limited Warranty provides coverage for one (1) year from the date the product is first sold to a recreational use retail purchaser, or the date on which the product is first put into service, whichever occurs first. Commercial users of these products receive warranty coverage of one (1) years from the date of first retail sale, or the accumulation of 500 hours of operation, whichever occurs first. Commercial use is defined as any work or employment related use of the product, or any use of the product which generates income, for any part of the warranty period, even if the product is only occasionally used for such purposes. The repair or replacement of parts, or the performance of service under this warranty, does not extend the life of this warranty beyond its original expiration date. Unexpired warranty coverage can be transferred to a subsequent purchaser upon proper re-registration of the product.

CONDITIONS THAT MUST BE MET IN ORDER TO OBTAIN WARRANTY COVERAGE

Warranty coverage is available only to retail customers that purchase from a Dealer authorized by Mercury Marine to distribute the product in the country in which the sale occurred, and then only after the Mercury Marine specified pre-delivery inspection process is completed and documented. Warranty coverage becomes available upon proper registration of the product by the authorized dealer. Inaccurate warranty registration information regarding recreational use, or subsequent change of use from recreational to commercial (unless properly re-registered) may void the warranty at the sole discretion of Mercury Marine. Routine maintenance outlined in the Operation and Maintenance Manual must be timely performed in order to maintain warranty coverage. If this maintenance is performed by the retail customer Mercury Marine reserves the right to make future warranty coverage contingent on proof of proper maintenance.

WHAT MERCURY WILL DO

Mercury's sole and exclusive obligation under this warranty is limited to, at our option, repairing a defective part, replacing such part or parts with new or Mercury Marine certified re-manufactured parts, or refunding the purchase price of the Mercury product. Mercury reserves the right to improve or modify products from time to time without assuming an obligation to modify products previously manufactured.

HOW TO OBTAIN WARRANTY COVERAGE

The customer must provide Mercury with a reasonable opportunity to repair, and reasonable access to the product for warranty service. Warranty claims shall be made by delivering the product for inspection to a Mercury dealer authorized to service the product. If purchaser cannot deliver the product to such a dealer, written notice must be given to Mercury. We will then arrange for the inspection and any covered repair. Purchaser in that case shall pay for all related transportation charges and/or travel time. If the service provided is not covered by this warranty, purchaser shall pay for all related labor and material, and any other expenses associated with that service. Purchaser shall not, unless requested by Mercury, ship the product or parts of the product directly to Mercury. The warranty registration card is the only valid registration identification and must be presented to the dealer at the time warranty service is requested in order to obtain coverage.

WHAT IS NOT COVERED

This limited warranty does not cover routine maintenance items, tune ups, adjustments, normal wear and tear, damage caused by abuse, abnormal use, use of a propeller or gear ratio that does not allow the engine to run in its recommended wide-open-throttle RPM range (see the Operation and Maintenance Manual), operation of the product in a manner inconsistent with the recommended operation/duty cycle section of the Operation and Maintenance Manual, neglect, accident, submersion, improper installation (proper installation specifications and techniques are set forth in the installation instructions for the product), improper service, use of an accessory or part not manufactured or sold by us, jet pump impellers and liners, operation with fuels, oils or lubricants which are not suitable for use with the product (see the Operation and Maintenance Manual), alteration or removal of parts, or water entering the engine through the fuel intake, air intake or exhaust system. Use of the product for racing or other competitive activity, or operating with a racing type lower unit, at any point, even by a prior owner of the product, voids the warranty.

Expenses related to haul-out, launch, towing, storage, telephone, rental, inconvenience, slip fees, insurance coverage, loan payments, loss of time, loss of income, or any other type of incidental or consequential damages are not covered by this warranty. Also, expenses associated with the removal and/or replacement of boat partitions or material caused by boat design for access to the product are not covered by this warranty.

No individual or entity, including Mercury Marine authorized dealers, has been given authority by Mercury Marine to make any affirmation, representation or warranty regarding the product, other than those contained in this limited warranty, and if made, shall not be enforceable against Mercury Marine.

For additional information regarding events and circumstances covered by this warranty, and those that are not, see the Warranty Coverage section of the Operation and Maintenance Manual, incorporated by reference into this warranty.

DISCLAIMERS AND LIMITATIONS:

THE IMPLIED WARRANTIES OF MERCHANTABILITY AND FITNESS FOR A PARTICULAR PURPOSE ARE EXPRESSLY DISCLAIMED. TO THE EXTENT THAT THEY CANNOT BE DISCLAIMED, THE IMPLIED WARRANTIES ARE LIMITED IN DURATION TO THE LIFE OF THE EXPRESS WARRANTY. INCIDENTAL AND CONSEQUENTIAL DAMAGES ARE EXCLUDED FROM COVERAGE UNDER THIS WARRANTY. SOME STATES/COUNTRIES DO NOT ALLOW FOR THE DISCLAIMERS, LIMITATIONS AND EXCLUSIONS IDENTIFIED ABOVE, AS A RESULT, THEY MAY NOT APPLY TO YOU. THIS WARRANTY GIVES YOU SPECIFIC LEGAL RIGHTS, AND YOU MAY ALSO HAVE OTHER LEGAL RIGHTS WHICH VARY FROM STATE TO STATE AND COUNTRY TO COUNTRY.

3 YEAR LIMITED WARRANTY AGAINST CORROSION FAILURE

WHAT IS COVERED

Mercury Marine warrants each new Mercury outboard, Mariner outboard, Mercury Racing, Jet Products, Thruster Electric Motor, Mercury Racing, Tracker by Mercury Marine Outboard, Mercruiser Inboard or sterndrive engine (Product) rendered inoperative as a direct result of corrosion for the period of time described below.

DURATION OF COVERAGE

This limited corrosion warranty provides coverage for three (3) years from the date the product is first sold, or the date on which the product is first put into service, whichever occurs first. The repair or replacement of parts, or the performance of service under this warranty does not extend the life of this warranty beyond its original expiration date. Unexpired warranty coverage can be transferred to subsequent (noncommercial use) purchaser upon proper re-registration of the product.

CONDITIONS THAT MUST BE MET IN ORDER TO OBTAIN WARRANTY COVERAGE

Warranty coverage is available only to retail customers that purchase from a Dealer authorized by Mercury Marine to distribute the product in the country in which the sale occurred, and then only after the Mercury Marine specified pre-delivery inspection process is completed and documented. Warranty coverage becomes available upon proper registration of the product by the authorized dealer. Corrosion prevention devices specified in the Operation and Maintenance Manual must be in use on the boat, and routine maintenance outlined in the Operation and Maintenance Manual must be timely performed (including without limitation the replacement of sacrificial anodes, use of specified lubricants, and touch-up of nicks and scratches) in order to maintain warranty coverage. If this maintenance is performed by the retail customer Mercury Marine reserves the right to make future warranty coverage contingent on proof of proper maintenance.

WHAT MERCURY WILL DO

Mercury's sole and exclusive obligation under this warranty is limited to, at our option, repairing a corroded part, replacing such part or parts with new or Mercury Marine certified re-manufactured parts, or refunding the purchase price of the Mercury product. Mercury reserves the right to improve or modify products from time to time without assuming an obligation to modify products previously manufactured.

HOW TO OBTAIN WARRANTY COVERAGE

The customer must provide Mercury with a reasonable opportunity to repair, and reasonable access to the product for warranty service. Warranty claims shall be made by delivering the product for inspection to a Mercury dealer authorized to service the product. If purchaser cannot deliver the product to such a dealer, written notice must be given to Mercury. We will then arrange for the inspection and any covered repair. Purchaser in that case shall pay for all related transportation charges and/or travel time. If the service provided is not covered by this warranty, purchaser shall pay for all related labor and material, and any other expenses associated with that service. Purchaser shall not, unless requested by Mercury, ship the product or parts of the product directly to Mercury. The warranty registration card is the only valid registration identification and must be presented to the dealer at the time warranty service is requested in order to obtain coverage.

WHAT IS NOT COVERED

This limited warranty does not cover electrical system corrosion; corrosion resulting from damage, corrosion which causes purely cosmetic damage, abuse or improper service; corrosion to accessories, instruments, steering systems; corrosion to factory installed jet drive unit; damage due to marine growth; product sold with less than a one year limited Product warranty; replacement parts (parts purchased by customer); products used in a commercial application. Commercial use is defined as any work or employment related use of the product, or any use of the product which generates income, for any part of the warranty period, even if the product is only occasionally used for such purposes.

Corrosion damage caused by stray electrical currents (on-shore power connections, nearby boats, submerged metal) is not covered by this corrosion warranty and should be protected against by the use of a corrosion protection system, such as the Mercury Precision Parts or Quicksilver MerCathode system and/or Galvanic Isolator. Corrosion damage caused by improper application of copper base anti-fouling paints is also not covered by this limited warranty. If anti-fouling protection is required, Tri-Butyl-Tin-Adipate (TBTA) base anti-fouling paints are recommended on Outboard and MerCruiser boating applications. In areas where TBTA base paints are prohibited by law, copper base paints can be used on the hull and transom. Do not apply paint to the outboard or MerCruiser product. In addition, care must be taken to avoid an electrical interconnection between the warranted product and the paint. Refer to the Operation and Maintenance Manual for additional details.

For additional information regarding events and circumstances covered by this warranty, and those that are not, see the Warranty Coverage section of the Operation and Maintenance Manual, incorporated by reference into this warranty.

DISCLAIMERS AND LIMITATIONS:

THE IMPLIED WARRANTIES OF MERCHANTABILITY AND FITNESS FOR A PARTICULAR PURPOSE ARE EXPRESSLY DISCLAIMED. TO THE EXTENT THAT THEY CANNOT BE DISCLAIMED, THE IMPLIED WARRANTIES ARE LIMITED IN DURATION TO THE LIFE OF THE EXPRESS WARRANTY. INCIDENTAL AND CONSEQUENTIAL DAMAGES ARE EXCLUDED FROM COVERAGE UNDER THIS WARRANTY. SOME STATES/COUNTRIES DO NOT ALLOW FOR THE DISCLAIMERS, LIMITATIONS AND EXCLUSIONS IDENTIFIED ABOVE, AS A RESULT, THEY MAY NOT APPLY TO YOU. THIS WARRANTY GIVES YOU SPECIFIC LEGAL RIGHTS, AND YOU MAY ALSO HAVE OTHER LEGAL RIGHTS WHICH VARY FROM STATE TO STATE AND COUNTRY TO COUNTRY.

WARRANTY INFORMATION

op5

WARRANTY COVERAGE AND EXCLUSIONS

The purpose of this section is to help eliminate some of the more common misunderstandings regarding warranty coverage. The following information explains some of the types of services that are not covered by warranty. The provisions set forth following have been incorporated by reference into the Three-Year Limited Warranty Against Corrosion Failure, the International Limited Outboard Warranty, and the United States and Canada Limited Outboard Warranty.

Keep in mind that warranty covers repairs that are needed within the warranty period because of defects in material and workmanship. Installation errors, accidents, normal wear, and a variety of other causes that affect the product are not covered.

Warranty is limited to defects in material or workmanship, but only when the consumer sale is made in the country to which distribution is authorized by us.

Should you have any questions concerning warranty coverage, contact your authorized dealer. They will be pleased to answer any questions that you may have.

General exclusions from warranty:

1. Minor adjustments and tune-ups, including checking, cleaning or adjusting spark plugs, ignition components, carburetor settings, filters, belts, controls, and checking lubrication made in connection with normal services.
2. Factory Installed Jet Drive units - Specific parts excluded from the warranty are: The jet drive impeller and jet drive liner damaged by impact or wear, and water damaged drive shaft bearings as a result of improper maintenance.
3. Damage caused by neglect, lack of maintenance, accident, abnormal operation or improper installation or service.
4. Haul-out, launch, towing charges, removal and/or replacement of boat partitions or material because of boat design for necessary access to the product, all related transportation charges and/or travel time, etc. Reasonable access must be provided to the product for warranty service. Customer must deliver product to an authorized dealer.
5. Additional service work requested by customer other than that necessary to satisfy the warranty obligation.

WARRANTY COVERAGE

op6

WARRANTY COVERAGE AND EXCLUSIONS

6. Labor performed by other than an authorized dealer may be covered only under following circumstances: When performed on emergency basis (providing there are no authorized dealers in the area who can perform the work required or have no facilities to haul out, etc., and prior factory approval has been given to have the work performed at this facility).
7. All incidental and/or consequential damages (storage charges, telephone or rental charges of any type, inconvenience or loss of time or income) are the owner's responsibility.
8. Use of other than Mercury Precision or Quicksilver replacement parts when making warranty repairs.
9. Oils, lubricants or fluids changed as a matter of normal maintenance is customer's responsibility unless loss or contamination of same is caused by product failure that would be eligible for warranty consideration.
10. Participating in or preparing for racing or other competitive activity or operating with a racing type lower unit.
11. Engine noise does not necessarily indicate a serious engine problem. If diagnosis indicates a serious internal engine condition which could result in a failure, condition responsible for noise should be corrected under the warranty.
12. Lower unit and/or propeller damage caused by striking a submerged object is considered a marine hazard.
13. Water entering engine through the fuel intake, air intake or exhaust system. or submersion.
14. Failure of any parts caused by lack of cooling water, which results from starting motor out of water, foreign material blocking inlet holes, motor being mounted too high or trimmed too far out.
15. Use of fuels and lubricants which are not suitable for use with or on the product. Refer to the Maintenance Section.
16. Our limited warranty does not apply to any damage to our products caused by the installation or use of parts and accessories which are not manufactured or sold by us. Failures which are not related to the use of those parts or accessories are covered under warranty if they otherwise meet the terms of the limited warranty for that product.

GENERAL INFORMATION

oba1

BOATER'S RESPONSIBILITIES

The operator (driver) is responsible for the correct and safe operation of the boat and safety of its occupants and general public. It is strongly recommended that each operator (driver) read and understand this entire manual before operating the outboard.

Be sure at least one additional person on board is instructed in the basics of starting and operating the outboard and boat handling in case the driver is unable to operate the boat.

obb1

BEFORE OPERATING YOUR OUTBOARD

Read this manual carefully. Learn how to operate your outboard properly. If you have any questions, contact your dealer.

Safety and operating information that is practiced along with using good common sense can help prevent personal injury and product damage.

This manual as well as safety labels posted on the outboard use the following safety alerts to draw your attention to special safety instructions that should be followed.

⚠ DANGER

DANGER - Immediate hazards which WILL result in severe personal injury or death.

⚠ WARNING

WARNING - Hazards or unsafe practices which COULD result in severe personal injury or death.

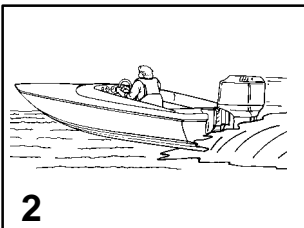
⚠ CAUTION

CAUTION - Hazards or unsafe practices which could result in minor injury or product or property damage.

U.S. COAST GUARD CAPACITY

MAXIMUM HORSEPOWER	XXX
MAXIMUM PERSON CAPACITY (POUNDS)	XXX
MAXIMUM WEIGHT CAPACITY	XXX

1



2

obc1

BOAT HORSEPOWER CAPACITY

- 1 Do not overpower or overload your boat. Most boats will carry a required capacity plate indicating the maximum acceptable power and load as determined by the manufacturer following certain federal guidelines. If in doubt, contact your dealer or the boat manufacturer.

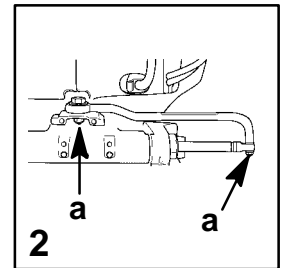
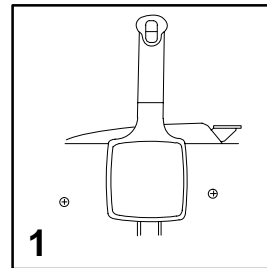
⚠ WARNING

Using an outboard that exceeds the maximum horsepower limit of a boat can: 1. cause loss of boat control 2. place too much weight at the transom altering the designed flotation characteristics of the boat or 3. cause the boat to break apart particularly around the transom area. Overpowering a boat can result in serious injury, death, or boat damage.

obc2

HIGH-SPEED AND HIGH-PERFORMANCE BOAT OPERATION

- 2 If your outboard is to be used on a high-speed or high-performance boat with which you are unfamiliar, we recommend that you never operate it at its high speed capability without first requesting an initial orientation and familiarization demonstration ride with your dealer or an operator experienced with your boat/outboard combination. For additional information, obtain a copy of our Guide to Hi-Performance Boat Operation booklet (Part Number 90-848481) from your dealer, distributor, or Mercury Marine.



obe1

OUTBOARD REMOTE CONTROL MODELS

- 1 The remote control connected to your outboard must be equipped with a "start-in-neutral" only protection device. This prevents the engine from starting when the shift is actuated in any position other than neutral.

⚠ WARNING

Avoid serious injury or death from a sudden unexpected acceleration when starting your engine. The design of this outboard requires that the remote control used with it must have a built in start-in-gear protection device.

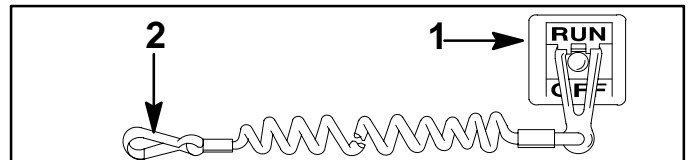
obf1

REMOTE STEERING NOTICE

- 2 The steering link rod that connects the steering cable to the engine must be fastened utilizing self-locking nuts (a). These self-locking nuts must never be replaced with common nuts (non locking) as they will work loose and vibrate off, freeing the link rod to disengage.

⚠ WARNING

Disengagement of a steering link rod can result in the boat taking a full, sudden, sharp turn. This potentially violent action can cause occupants to be thrown overboard exposing them to serious injury or death.



obg6

LANYARD STOP SWITCH

- 1 The purpose of a lanyard stop switch is to turn off the engine when the operator moves far enough away from the operator's position (as in accidental ejection from the operator's position) to activate the switch. Tiller handle outboards and some remote control units are equipped with a lanyard stop switch. A lanyard stop switch can be installed as an accessory – generally on the dashboard or side adjacent to the operator's position.
- 2 The lanyard is a cord usually between 4 and 5 feet (1220 and 1524 mm) in length when stretched out with an element on one end made to be inserted into the switch and a snap on the other end for attaching to the operator. The lanyard is coiled to make its at-rest condition as short as possible so as to minimize the likelihood of lanyard entanglement with nearby objects. It is made as long as it is in its stretched condition to minimize the likelihood of accidental activation should the operator choose to move around in an area close to the normal operator's position. If it is desired to have a shorter lanyard, wrap the lanyard around the operator's wrist or leg, or tie a knot in the lanyard.

GENERAL INFORMATION

LANYARD STOP SWITCH (CONTINUED)

Read the following Safety Information before proceeding.

Important Safety Information: The purpose of a lanyard stop switch is to stop the engine when the operator moves far enough away from the operator's position to activate the switch. This would occur if the operator accidentally falls overboard or moves within the boat a sufficient distance from the operator's position. Accidental ejections and falls overboard are more likely to occur in certain types of boats such as low sided inflatables or bass boats, high-performance boats and light, sensitive-handling fishing boats operated by hand-tiller. Accidental ejections and falls overboard are also likely to occur as a result of poor operating practices such as sitting on the back of the seat or gunwale at planing speeds, standing at planing speeds, sitting on elevated fishing boat decks, operating at planing speeds in shallow or obstacle-infested waters, releasing your grip on a steering wheel or tiller handle that is pulling in one direction, drinking alcohol or consuming drugs, or daring, high-speed boat maneuvers.

While activation of the lanyard stop switch will stop the engine immediately, a boat will continue to coast for some distance depending upon the velocity and degree of any turn at shut-down. However, the boat will not complete a full circle. While the boat is coasting, it can cause injury to anyone in the boat's path as seriously as the boat would when under power.

We strongly recommend that other occupants be instructed on proper starting and operating procedures should they be required to operate the engine in an emergency (e.g. if the operator is accidentally ejected).

WARNING

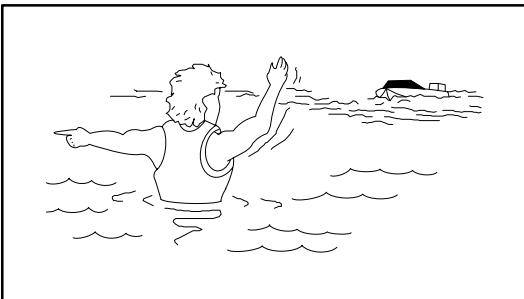
Should the operator fall out of the boat, the possibility of serious injury or death from being run over by the boat can be greatly reduced by stopping the engine immediately. Always properly connect both ends of the stop switch lanyard – to the stop switch and the operator.

Accidental or unintended activation of the switch during normal operation is also a possibility. This could cause any, or all, of the following potentially hazardous situations:

1. Occupants could be thrown forward due to unexpected loss of forward motion – a particular concern for passengers in the front of the boat who could be ejected over the bow and possibly struck by the gear case or propeller.
2. Loss of power and directional control in heavy seas, strong current or high winds.
3. Loss of control when docking.

WARNING

Avoid serious injury or death from deceleration forces resulting from an accidental or unintended stop switch activation. The boat operator should never leave the operator's station without first disconnecting the stop switch lanyard from the operator.



obh2

PROTECTING PEOPLE IN THE WATER

While You are Cruising

It is very difficult for a person standing or floating in the water to take quick action to avoid a boat heading in his/her direction even at slow speed.

Always slow down and exercise extreme caution any time you are boating in an area where there might be people in the water.

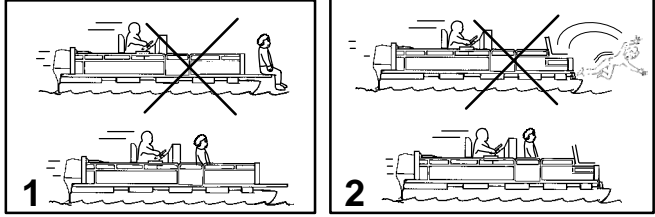
Whenever a boat is moving (coasting) and the outboard gear shift is in neutral position, there is sufficient force by the water on the propeller to cause the propeller to rotate. This neutral propeller rotation can cause serious injury.

While Boat is Stationary

Shift outboard into neutral and shut off the engine before allowing people to swim or be in the water near your boat.

WARNING

Stop your engine immediately whenever anyone in the water is near your boat. Serious injury to the person in the water is likely if contacted by a rotating propeller, a moving boat, a moving gear case, or any solid device rigidly attached to a moving boat or gear case.



obz1

PASSENGER SAFETY MESSAGE - PONTOON BOATS AND DECK BOATS

Whenever the boat is in motion, observe the location of all the passengers. Do not allow any passengers to stand or use seats other than those designated for traveling faster than idle speed, because a sudden reduction in boat speed, such as the result of plunging into a large wave or wake, a sudden throttle reduction, or a sharp change of boat direction, could throw them over the front of boat. Falling over the front of the boat between the two pontoons will position them to be run over by the outboard.

1 Boats having an open front deck:

No one should ever be on the deck in front of the fence while the boat is in motion. Keep all passengers behind the front fence or enclosure.

Persons on the front deck could easily be thrown overboard or persons dangling their feet over the front edge could get their legs caught by a wave and pulled into the water.

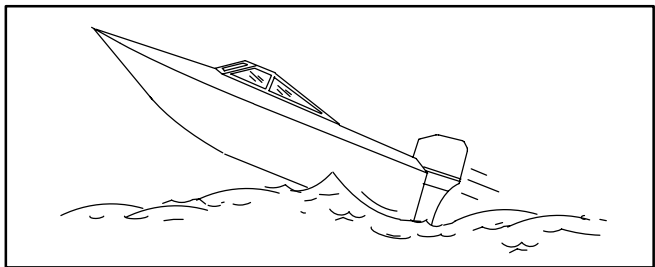
2 Boats with front-mounted, raised pedestal fishing seats:

These elevated fishing seats are not intended for use when the boat is traveling faster than idle or trolling speed. Sit only in seats designated for traveling at faster speeds.

Any unexpected sudden reduction in boat speed could result in the elevated passenger falling over the front of the boat.

WARNING

Avoid serious injury or death from falling over the front end of a pontoon or deck boat and being run over by the outboard. Stay back from the front end of the deck and remain seated while the boat is in motion.



obu1

WAVE AND WAKE JUMPING

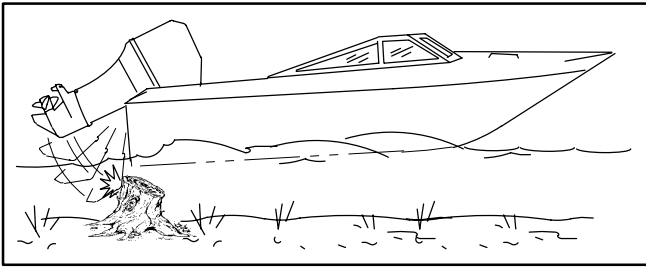
Operating recreational boats over waves and wakes is a natural part of boating. However, when this activity is done with sufficient speed to force the boat hull partially or completely out of the water, certain hazards arise, particularly when the boat re-enters the water.

The primary concern is the boat changing direction while in the midst of the jump. In such case the landing may cause the boat to veer violently in a new direction. Such a sharp change in direction can cause occupants to be thrown out of their seats, or out of the boat.

There is another less common hazardous result from allowing your boat to launch off a wave or wake. If the bow of your boat pitches down far enough while airborne, upon water contact it may penetrate under the water surface and "submarine" for an instant. This will bring the boat to a nearly instantaneous stop and can send the occupants flying forward. The boat may also steer sharply to one side.

WARNING

Avoid serious injury or death from being thrown within or out of a boat when it lands after jumping a wave or wake. Avoid wave or wake jumping whenever possible. Instruct all occupants that if a wake or wave jump occurs, get low and hang on to any boat hand hold.



ob

GENERAL INFORMATION

ob14

IMPACT WITH UNDERWATER HAZARDS

Reduce speed and proceed with caution whenever you drive a boat in shallow water areas or in areas where you suspect of underwater obstacles may exist which could be struck by the outboard or the boat bottom. **The most important thing you can do to help reduce injury or impact damage from striking a floating or underwater object is to control the boat speed. Under these conditions, boat speed should be kept to a minimum planing speed (15 to 25 MPH).**

WARNING

To avoid serious injury or death from all or part of an outboard coming into the boat after striking a floating or underwater obstacle maintain a top speed no greater than minimum planing speed.

Striking a floating or underwater object could result in an infinite number of situations. Some of these situations could result in the following:

- Part of the outboard or the entire outboard could break loose and fly into the boat.
- The boat could move suddenly in a new direction. Such a sharp change in direction can cause occupants to be thrown out of their seats or out of the boat.
- A rapid reduction in speed. This will cause occupants to be thrown forward, or even out of the boat.
- Impact damage to the outboard and/or boat.

ob16

IMPACT WITH UNDERWATER HAZARDS

Keep in mind, the most important thing you can do to help reduce injury or impact damage in these situations is control the boat speed. Boat speed should be kept to a minimum planing speed when driving in waters known to have underwater obstacles.

After striking a submerged object, stop the engine as soon as possible and inspect the outboard for any broken or loose parts. If damage is present or suspected, the outboard should be taken to an authorized dealer for a thorough inspection and necessary repair.

The boat should also be checked for any hull fractures, transom fractures, or water leaks.

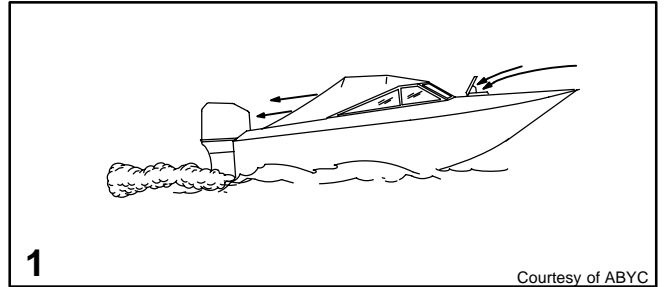
Operating a damaged outboard could cause additional damage to other parts of the outboard, or could affect control of the boat. If continued running is necessary, do so at greatly reduced speeds.

WARNING

Avoid serious injury or death from loss of boat control. Continued boating with major impact damage can result in sudden outboard component failure with or without subsequent impacts. Have the outboard thoroughly inspected and any necessary repairs made.

Additional safety instructions for Hand tilted outboards

When operating a hand tilted outboard, no operator, passenger, or cargo should occupy the space directly in front of the outboard. This space may be violently filled by the outboard if the outboard should kick up from striking an underwater obstacle.



1

Courtesy of ABYC

EXHAUST EMISSIONS

Be Alert To Carbon Monoxide Poisoning

Carbon monoxide is present in the exhaust fumes of all internal combustion engines including the outboards, stern drives and inboard engines that propel boats, as well as the generators that power various boat accessories. Carbon monoxide is a deadly gas that is odorless, colorless and tasteless.

Early symptoms of carbon monoxide poisoning which should not be confused with seasickness or intoxication, include headache, dizziness, drowsiness, and nausea.

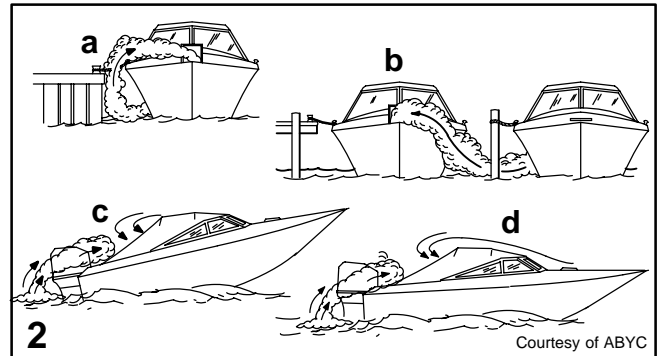
WARNING

Avoid the combination of a running engine and poor ventilation. Prolonged exposure to carbon monoxide in sufficient concentration can lead to unconsciousness, brain damage, or death.

Good Ventilation

Ventilate passenger area, open side curtains, or forward hatches to remove fumes.

1 Example of desired air flow through the boat.



2

Courtesy of ABYC

EXHAUST EMISSIONS

Poor Ventilation

Under certain running and/or wind conditions, permanently enclosed or canvas enclosed cabins or cockpits with insufficient ventilation may draw in carbon monoxide. Install one or more carbon monoxide detectors in your boat.

Although the occurrence is rare, on a very calm day, swimmers and passengers in an enclosed area of a stationary boat that contains or is near a running engine may be exposed to a hazardous level of carbon monoxide.

2 Examples of Poor Ventilation:

While boat is stationary

- Running the engine when the boat is moored in a confined space.
- Mooring close to another boat that has its engine running.

While boat is moving

- Running the boat with the trim angle of the bow too high.
- Running the boat with no forward hatches open (station wagon effect).

GENERAL INFORMATION

ob12

SELECTING ACCESSORIES FOR YOUR OUTBOARD

Genuine Mercury Precision or Quicksilver Accessories have been specifically designed and tested for your outboard. These accessories are available from Mercury Marine dealers.

Some accessories not manufactured or sold by Mercury Marine are not designed to be safely used with your outboard or outboard operating system. Acquire and read the installation, operation, and maintenance manuals for all your selected accessories.

WARNING

Check with your dealer before installation of accessories. The misuse of acceptable accessories or the use of unacceptable accessories can result in serious injury, death, or product failure.

ob11

SAFE BOATING SUGGESTIONS

In order to safely enjoy the waterways, familiarize yourself with local and other governmental boating regulations and restrictions, and consider the following suggestions.

Use flotation devices. Have an approved personal flotation device of suitable size for each person aboard (it is the law) and have it readily accessible.

Do not overload your boat. Most boats are rated and certified for maximum load (weight) capacities (refer to your boat capacity plate). If in doubt, contact your dealer or the boat manufacturer.

Perform safety checks and required maintenance. Follow a regular schedule and ensure that all repairs are properly made.

Know and obey all nautical rules and laws of the waterways. Boat operators should complete a boating safety course. Courses are offered in the U.S.A. by (1) The U.S. Coast Guard Auxiliary, (2) The Power Squadron, (3) The Red Cross and (4) your state boating law enforcement agency. Inquiries may be made to the Boating Hot-line, 1-800-368-5647 or the Boat U.S. Foundation information number 1-800-336-BOAT.

Make sure everyone in the boat is properly seated. Don't allow anyone to sit or ride on any part of the boat that was not intended for such use. This includes backs of seats, gunwales, transom, bow, decks, raised fishing seats, any rotating fishing seat; anywhere that sudden unexpected acceleration, sudden stopping, unexpected loss of boat control or sudden boat movement could cause a person to be thrown overboard or into the boat.

Never be under the influence of alcohol or drugs while boating (it is the law). They impair your judgment and greatly reduce your ability to react quickly.

Prepare other boat operators. Instruct at least one person on board in the basics of starting and operating the outboard and boat handling in case the driver becomes disabled or falls overboard.

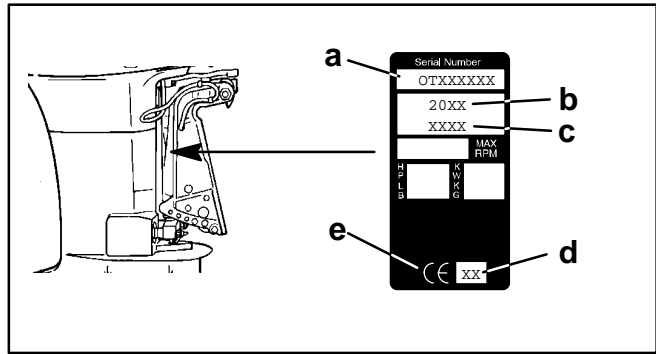
Passenger boarding. Stop the engine whenever passengers are boarding, unloading or are near the back (stern) of the boat. Just shifting the outboard into neutral is not sufficient.

Be alert. The operator of the boat is responsible by law to "maintain a proper lookout by sight (and hearing)." The operator must have an unobstructed view particularly to the front. No passengers, load, or fishing seats should block the operators view when operating the boat above idle speed.

Never drive your boat directly behind a water skier in case the skier falls. As an example, your boat traveling at 25 miles per hour (40 km/hr) in 5 seconds will overtake a fallen skier who was 200 feet (61m) in front of you.

Watch fallen skiers. When using your boat for water skiing or similar activities, always keep a fallen or down skier on the operator's side of the boat while returning to attend the skier. The operator should always have the down skier in sight and never back up to the skier or anyone in the water.

Report accidents. Boat operators are required by law to file a Boating Accident Report with their state boating law enforcement agency when their boat is involved in certain boating accidents. A boating accident must be reported if (1) there is loss of life or probable loss of life, (2) there is personal injury requiring medical treatment beyond first aid, (3) there is damage to boats or other property where the damage value exceeds \$500.00 or (4) there is complete loss of the boat. Seek further assistance from local law enforcement.



ob19

RECORDING SERIAL NUMBER

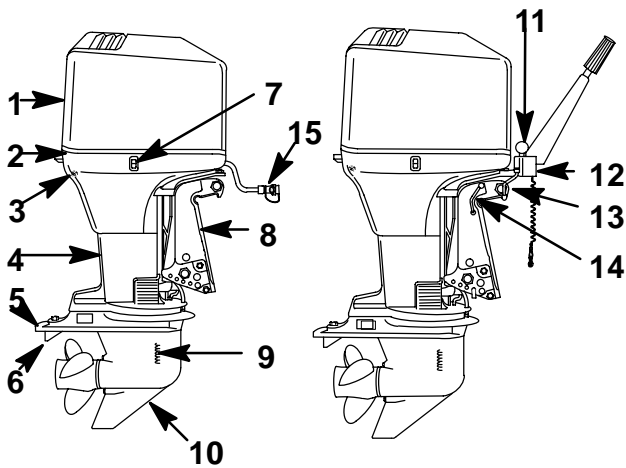
It is important to record this number for future reference. The serial number is located on the outboard as shown.

- Serial Number
- Model Year
- Model Designation
- Year Manufactured
- Certified Europe Insignia (as Applicable)

obm68

SPECIFICATIONS

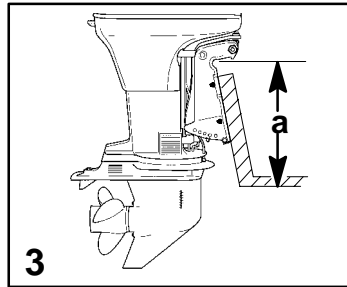
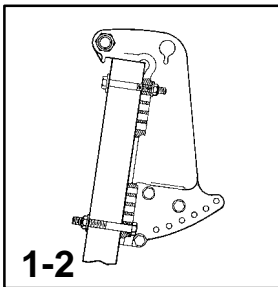
Models	75	90	115	125
Horsepower	75	90	115	125
Kilowatts	56	67	86	93
Full Throttle RPM Range	4750-5250	5000-5500	4750-5250	
Idle Speed in Forward Gear	650-700 RPM			
Number of Cylinders	3		4	
Piston Displacement	84.57 cu. in. (1385.8cc)		112.76 cu. in. (1847.8cc)	
Cylinder Bore	3.500 in. (88.9mm)			
Stroke	2.930 in. (74mm)			
Recommended Spark Plug	NGK BUZH-W2		NGK BPZ8H-N-10	
Spark Plug Gap	Surface Gap		.040 in. (1.0mm)	
Gear Ratio	2.3:1		2.07:1	
Recommended Gasoline	Refer to Fuel Section			
Recommended Oil	Refer to Fuel Section			
Gear Case Lubricant Capacity	22.5 fl. oz. (666ml)			
Battery Rating	500 Marine Cranking Amps (MCA) or 450 Cold Cranking Amps (CCA)			



GENERAL INFORMATION

COMPONENT IDENTIFICATION

- | | |
|--|---|
| 1. Top Cowl | 9. Cooling Water Intake |
| 2. Bottom Cowl | 10. Gear Case |
| 3. Water Pump Indicator Hole | 11. Shift Handle |
| 4. Drive Shaft Housing | 12. Lanyard Stop Switch |
| 5. Anti-Ventilation Plate | 13. Steering Friction Adjustment Knob |
| 6. Trim Tab | 14. Tilt Lock Lever (Models Without Power Trim) |
| 7. Auxiliary Tilt Switch (Power Trim Models) | 15. Hose Flush Attachment (If Equipped) |
| 8. Transom Brackets | |



INSTALLATION

INSTALLING OUTBOARD

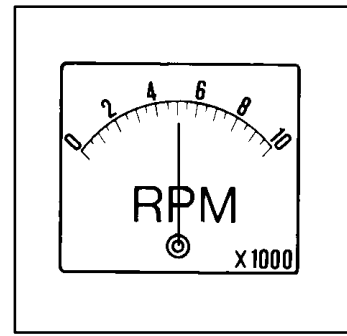
WARNING

Before operation, the outboard must be correctly installed with four mounting bolts shown. Failure to correctly fasten outboard could result in outboard ejecting off boat transom causing serious injury, death, or property damage.

- We strongly recommend that your dealer install your outboard and related accessories to ensure proper installation and good performance. If you install the outboard yourself, follow instructions in the Outboard Installation Manual which is provided with the outboard.
- The outboard must be secured to the transom with the four 1/2 inch diameter mounting bolts and locknuts provided with the outboard. Install two bolts thru the upper set of holes and two bolts thru the lower set of holes.

Maximum Outboard Mounting Height

- The mounting height (a) of the outboard must not exceed 25 in. (635 mm) for EL models and 30 in. (762 mm) for EXL models. Mounting the outboard higher may cause damage to the gear case components.

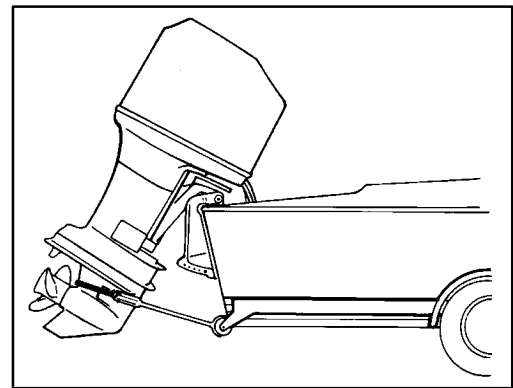


PROPELLER SELECTION

For best all around performance from your outboard/boat combination, select a propeller that allows the engine to operate in the upper half of the recommended full throttle RPM range with the boat normally loaded (refer to Specifications). This RPM range allows for better acceleration while maintaining maximum boat speed.

If changing conditions cause the RPM to drop below the recommended range (such as warmer, more humid weather, operation at higher elevations, increased boat load, or a dirty boat bottom/gear case) a propeller change or cleaning may be required to maintain performance and ensure the outboards durability.

Check full-throttle RPM using an accurate tachometer with the engine trimmed out to a balanced-steering condition (steering effort equal in both directions) without causing the propeller to "break loose."



TRANSPORTING

TRAILERING BOAT/OUTBOARD

Trailer your boat with the outboard tilted down (vertical operating position).

If additional ground clearance is required, the outboard should be tilted up using an accessory outboard support device. Refer to your local dealer for recommendations. Additional clearance may be required for railroad crossings, driveways and trailer bouncing.

IMPORTANT: Do not rely on the power trim/tilt system or tilt support lever to maintain proper ground clearance for trailering. The outboard tilt support lever is not intended to support the outboard for trailering.

Shift the outboard to forward gear. This prevents the propeller from spinning freely.

FUEL & OIL

GASOLINE RECOMMENDATIONS

United States and Canada

Use a major brand of automotive unleaded gasoline with a minimum posted octane rating of 87. Mid-grade automotive gasolines that contain fuel injector cleaner are preferred for added internal engine cleanliness. Leaded gasoline is not recommended.

International

Use a major brand of automotive unleaded gasoline with a minimum posted octane rating of 90RON. Automotive gasolines that contain fuel injector cleaner are preferred for added internal engine cleanliness. Leaded gasoline is acceptable in areas where unleaded gasoline is not available.

FUEL & OIL

Alcohol in Gasoline

We do not recommend the use of gasoline which contains alcohol because of the possible adverse effect the alcohol may have on the fuel system. In general, if only gasoline containing alcohol is available, it must not contain more than 10% ethanol or 5% methanol, and the addition of a Water Separating Fuel Filter is recommended.

If gasoline containing alcohol is used or if you suspect the presence of alcohol in your gasoline, increase your inspection of the fuel system, visually checking for fuel leaks or abnormalities.

Gasoline containing alcohol may cause the following problems to your outboard and fuel system:

- Corrosion of metal parts.
- Deterioration of elastomers and plastic parts.
- Wear and damage of internal engine parts.
- Starting and operating difficulties.
- Vapor lock or fuel starvation.

Some of these adverse effects are due to the tendency of gasoline containing alcohol to absorb moisture from the air, resulting in a phase of water and alcohol which separates from the gasoline in the fuel tank.

The adverse effects of alcohol are more severe with methanol and are worse with increasing content of alcohol.

OIL RECOMMENDATION

Mercury or Quicksilver Premium TC-W3 2-cycle oil is recommended for your engine. For added protection and lubrication, Mercury or Quicksilver Premium Plus TC-W3 2-cycle oil is recommended. If Mercury or Quicksilver outboard oil is not available, substitute another brand of 2-cycle outboard oil that is NMMA Certified TC-W3. Severe engine damage may result from use of an inferior oil.

FUEL AND OIL RATIO

Models With Oil Injection

Use a 50:1 (2%) gasoline/oil mixture in the first tank of fuel. Follow the table below for mixing ratios. Use of this fuel mixture combined with oil from the oil injection system will supply adequate lubrication during engine break-in.

After the break-in fuel mixture is used up, it is no longer necessary to add oil with the gasoline.

Note: At the end of the break-in period, visually check to see if the oil level in the oil injection tank has dropped. Oil usage indicates the oil injection system is functioning correctly.

GASOLINE/OIL MIXING RATIO CHART			
Gas/Oil Ratio	1 Gallon Gas (3.8 Liters)	3 Gallons Gas (11.5 Liters)	6 Gallons Gas (23 Liters)
50:1 (2%)	3 fl. oz. (89 ml) Oil	8 fl. oz. (237 ml) Oil	16 fl. oz. (473 ml) Oil

Models Without Oil Injection

Use a 25:1 (4%) gasoline/oil mixture in the first tank of fuel.

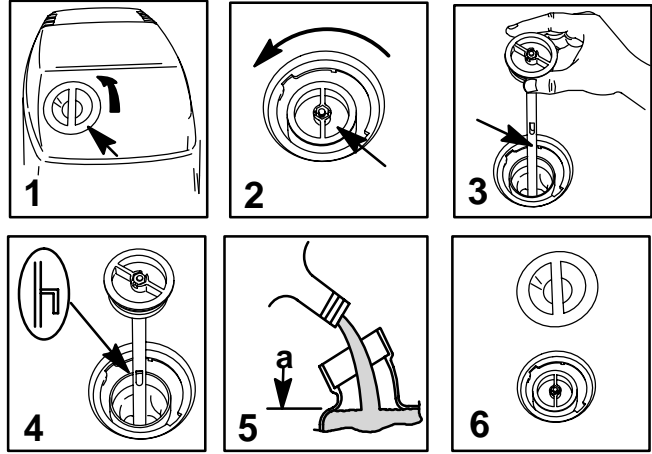
After the break-in fuel mixture is used up, use a 50:1 (2%) gasoline/oil mixture. Follow the table below for mixing ratios.

GASOLINE/OIL MIXING RATIO CHART			
Gas/Oil Ratio	1 Gallon Gas (3.8 Liters)	3 Gallons Gas (11.5 Liters)	6 Gallons Gas (23 Liters)
25:1 (4%)	5 fl. oz. (148 ml) Oil	16 fl. oz. (473 ml) Oil	32 fl. oz. (946 ml) Oil
50:1 (2%)	3 fl. oz. (89 ml) Oil	8 fl. oz. (237 ml) Oil	16 fl. oz. (473 ml) Oil

MIXING GASOLINE AND OIL

Portable Tank – Pour one gallon (4 liters) of gasoline into tank. Add the correct amount of oil and mix thoroughly. Add the remainder of gasoline.

Built-in Tank – Using a funnel, pour the correct amount of oil slowly with the gasoline as tank is filled.



FILLING OIL INJECTION SYSTEM

- 1 Position the outboard in a level operating position. Remove the cowl cap.
- 2 Turn the oil filler cap to the left and remove.
- 3 Use the dipstick to check oil level.
- 4 Hook the dipstick on the tank during filling.
- 5 Slowly fill the oil tank with the specified oil. **Do Not overfill** – add only enough oil to bring the oil level up to the bottom of the fill neck (a).

Note: The oil tank capacity for three cylinder models is 3.2 qt. (3.0 liters) and four cylinder models is 5.13 qt. (4.9 liters).

- 6 Install oil filler cap and re-tighten. Reinstall the cowl cap.

FILLING FUEL TANK

WARNING

Avoid serious injury or death from a gasoline fire or explosion. Always stop the engine and DO NOT smoke or allow open flames or sparks in the area while filling fuel tanks.

Fill fuel tanks outdoors away from heat, sparks, and open flames.

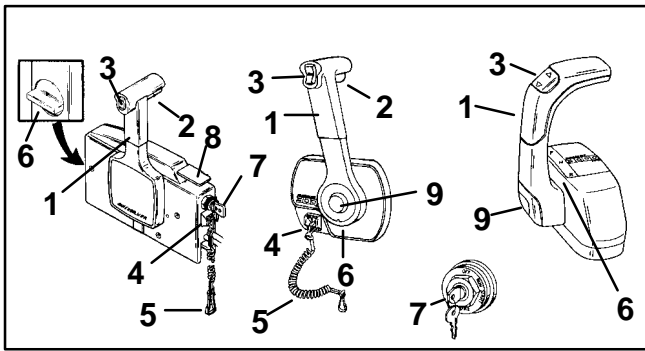
Remove portable fuel tanks from boat to refill them.

Always stop engine before refilling tanks.

Do not completely fill the fuel tanks. Leave approximately 10% of the tank volume unfilled. Fuel will expand in volume as its temperature rises and can leak under pressure if the tank is completely filled.

Portable Fuel Tank Placement in the Boat

Place the fuel tank in the boat so that the tank vent will stay higher than the fuel level in the tank under normal boat operating conditions.



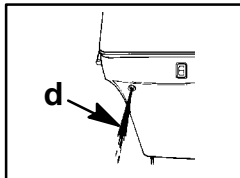
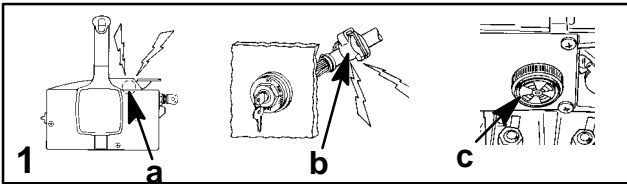
FEATURES & CONTROLS

og912

REMOTE CONTROL FEATURES

Your boat may be equipped with one of the Mercury Precision or Quicksilver remote controls shown. If not, consult your dealer for a description of the functions and operations of the remote control.

- 1 Control Handle - Forward, Neutral, Reverse
- 2 Neutral Release Lever
- 3 Trim/Tilt Switch (if Equipped) - Refer to Power Trim Operation.
- 4 Lanyard Stop Switch - Read the Lanyard Stop Switch safety explanation and Warning in the General Information Section.
- 5 Lanyard - Read the lanyard stop switch safety explanation and warning in the General Information Section.
- 6 Throttle Friction Adjustment - Console Controls require cover removal for adjustment.
- 7 Ignition Key Switch - Off, On, Start, Choke
- 8 Fast Idle Lever - Raising lever will increase engine idle speed in neutral. Refer to Starting the Engine in the Operation Section.
- 9 Throttle Only Button - Pushing in the button will enable you to advance the control handle for increasing engine idle speed without shifting outboard into gear. Refer to Starting the Engine in the Operation Section.



ogb35

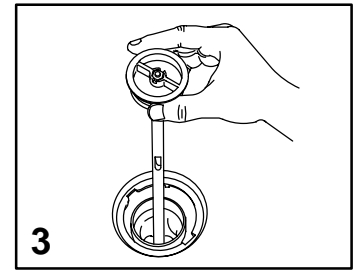
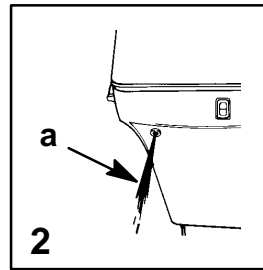
WARNING SYSTEM

- 1 The outboard warning system incorporates a warning horn inside the boat. The warning horn on remote control operated models may be located (a) inside the remote control or (b) connected to the key switch under the dash. On tiller handle models the warning horn is located below the tiller handle (c).

The warning horn will emit a continuous beep. This will alert the operator to one of two problems: EITHER an engine overheat condition OR low oil level in the oil injection tank. See explanations "2" and "3" following.

- 2 **Engine overheat** If the engine overheats, the warning horn will sound. Immediately reduce throttle speed to idle. Shift outboard into neutral and check for a steady stream of water (a) coming out of the water pump indicator hole.

If no water (a) is coming out of the water pump indicator hole or flow is intermittent, stop engine and check water intake for obstruction. If no obstruction is found, this may indicate a blockage in the cooling system or a water pump problem. Have the outboard checked by your dealer. Operating the engine while overheated will cause engine damage. See the following note.



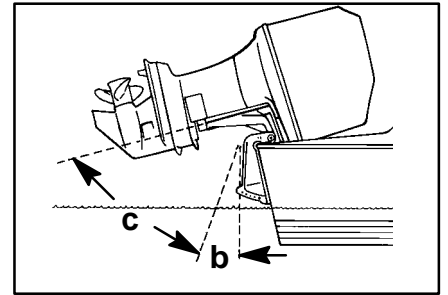
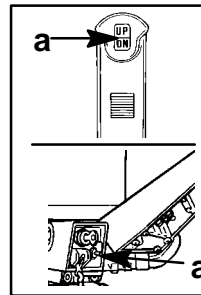
2 Engine overheat (continued)

If a steady stream of water (a) is coming out of the water pump indicator hole, and the warning horn continues to sound, there still may be insufficient cooling water or an engine problem. Stop engine and have it checked by your dealer. Operating the engine while overheated will cause engine damage. See the following note.

Note: Should this occur and you are in a stranded situation, stopping the engine and allowing it to cool back down will usually allow some additional low speed (idle) running time before the engine starts to overheat again.

The overheat problem must be corrected before you can resume normal operation.

- 3 **Low oil level in the oil injection system.** If the oil level drops below the low oil level, the warning horn will sound. You still have an oil reserve remaining for 30 minutes of full speed operation. Refer to Fuel Section for refilling instructions.



og51

POWER TRIM AND TILT (IF EQUIPPED)

Your outboard has a trim/tilt control called "Power Trim." This enables the operator to easily adjust the position of the outboard by pressing the trim switch (a). Moving the outboard in closer to the boat transom is called trimming "in" or "down." Moving the outboard further away from the boat transom is called trimming "out" or "up." The term "trim" generally refers to the adjustment of the outboard within the first 20° range of travel (b). This is the range used while operating your boat on plane. The term "tilt" is generally used when referring to adjusting the outboard further up out of the water (c). With the engine turned off the outboard can be tilted out of the water. At low idle speed, the outboard can also be tilted up past the trim range to permit, for example, shallow water operation.

Power Trim Operation

With most boats, operating around the middle of the "trim" range will give satisfactory results. However, to take full advantage of the trimming capability there may be times when you choose to trim your outboard all the way in or out. Along with an improvement in some performance aspects comes a greater responsibility for the operator, and this is being aware of some potential control hazards.

FEATURES & CONTROLS

ggc3

POWER TRIM AND TILT (CONTINUED)

The most significant control hazard is a pull or "torque" that can be felt on the steering wheel or tiller handle. This steering torque results from the outboard being trimmed so that the propeller shaft is not parallel to the water surface.

WARNING

Avoid possible serious injury or death. When the outboard is trimmed in or out beyond a neutral steering condition, a pull on the steering wheel or tiller handle in either direction may result. Failure to keep a continuous firm grip on the steering wheel or tiller handle when this condition exists can result in loss of boat control as the outboard can turn freely. The boat can now "spin out" or go into a very tight maximum turn which, if unexpected, can result in occupants being thrown within the boat or out of the boat.

Consider the following lists carefully.

Trimming In or Down Can:

1. Lower the bow.
2. Result in quicker planing off, especially with a heavy load or a stern heavy boat.
3. Generally improve the ride in choppy water.
4. Increase steering torque or pull to the right (with the normal right hand rotation propeller).
5. In excess, lower the bow of some boats to a point at which they begin to plow with their bow in the water while on plane. This can result in an unexpected turn in either direction called "bow-steering" or "over-steering" if any turn is attempted, or if a significant wave is encountered.

ggc4

POWER TRIM AND TILT (CONTINUED)

Power Trim Operation (continued)

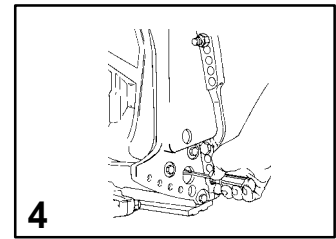
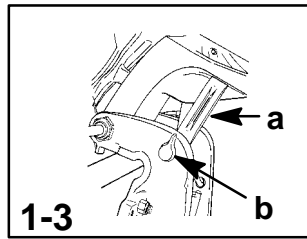
WARNING

Avoid possible serious injury or death. Adjust outboard to an intermediate trim position as soon as boat is on plane to avoid possible ejection due to boat spin-out. Do not attempt to turn boat when on plane if outboard is trimmed extremely in or down and there is a pull on the steering wheel or tiller handle.

6. In rare circumstances, the owner may decide to limit the trim in. This can be accomplished by purchasing a stainless steel tilt pin (Part Number 17-49930A1) from your dealer and inserting it in whatever adjustment hole in the transom brackets is desired. The non-stainless steel shipping bolt should not be used in this application other than on a temporary basis.

Trimming Out or Up can:

1. Lift the bow higher out of the water.
2. Generally increase top speed.
3. Increase clearance over submerged objects or a shallow bottom.
4. Increase steering torque or pull to the left at a normal installation height (with the normal right hand rotation propeller).
5. In excess, cause boat "porpoising" (bouncing) or propeller ventilation.
6. Cause engine overheating if any cooling water intake holes are above the water line.



ggc5

POWER TRIM AND TILT (CONTINUED)

To tilt outboard, shut off the engine and press the trim/tilt switch or auxiliary tilt switch to the up position. The outboard will tilt up until the switch is released or it reaches its maximum tilt position.

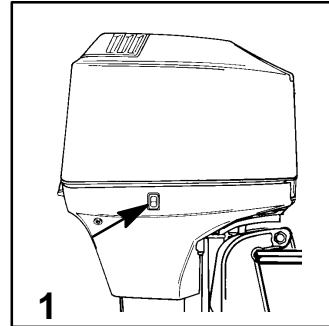
- 1 Engage the tilt support lever (a), by rotating knob (b) to bring support lever upward.
- 2 Lower outboard to rest on the tilt support lever.
- 3 Disengage the tilt support lever, by raising the outboard off the support lever and rotating the lever down. Lower the outboard.

Manual Tilting

If the outboard cannot be tilted using the power trim/tilt switch, the outboard can be manually tilted.

- 4 Turn out the manual tilt release valve 3 turns (counterclockwise). This allows manual tilting of the outboard. Tilt the outboard to the desired position and tighten the manual tilt release valve.

Note: The manual tilt release valve must be tightened before operating the outboard to prevent the outboard from tilting up during reverse operation.



ggc6

POWER TRIM AND TILT (CONTINUED)

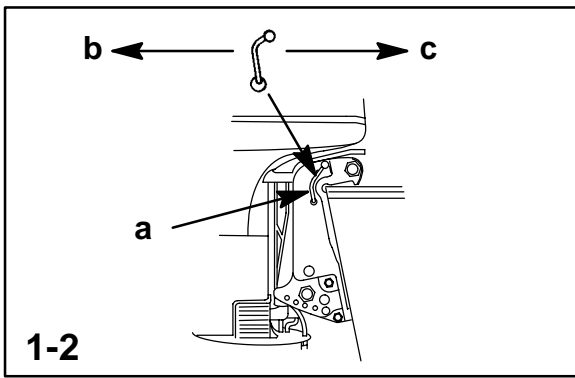
Auxiliary Tilt Switch

- 1 This switch can be used to tilt the outboard up or down using the power trim system.

Shallow Water Operation

When operating your boat in shallow water, you can tilt the outboard beyond the maximum trim range to prevent hitting bottom.

1. Reduce engine speed below 2000 RPM.
2. Tilt outboard up. Make sure all the water intake holes stay submerged at all times.
3. Operate the engine at slow speed only. If engine speed exceeds 2000 RPM, the outboard will automatically return down to the maximum trim range.



FEATURES & CONTROLS

MANUAL TILT SYSTEM

Models without power trim are equipped with a tilt assist system that allows the operator to easily tilt and lock the outboard at any tilt position from full down to full up.

This tilt system is designed to be adjusted when the outboard is idling in neutral or with the engine turned off.

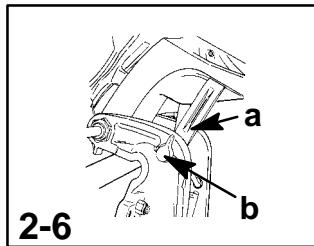
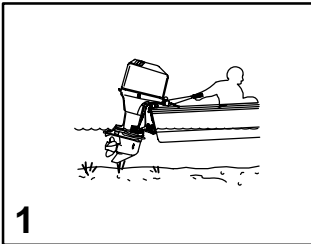
- 1 Before operating, the outboard must be locked in its tilt position by moving the tilt lock lever (a) to the LOCK/RUN position.

WARNING

Before operating, the outboard must be locked in its tilt position by moving the tilt lock lever to LOCK/RUN position. Failure to lock the outboard in its tilt position could result in the outboard tilting up out of the water during deceleration or while operating in reverse, resulting in possible loss of boat control. Loss of boat control can result in serious injury, death, or boat damage.

Basic Tilting Operation

- 2 Move tilt lock lever (a) to the TILT (b) position. Tilt outboard to desired position and lock in place by moving the tilt lock lever back to the LOCK/RUN (c) position.



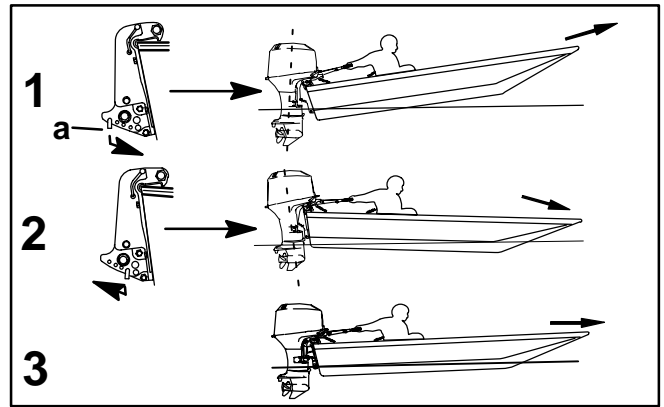
MANUAL TILT SYSTEM

Shallow Water Operation

- 1 When operating your boat in shallow water, the outboard can be adjusted and locked at a higher tilt angle. Operate your outboard at slow speed while tilted up for shallow water operation. Keep the cooling water intake holes submerged in the water and continue to check for water discharge from the water pump indicator hole.

Tilting Outboard To Full Up Position

- 2 Stop the engine. Move the tilt lock lever to TILT position. Take hold of the top cowl grip and raise outboard to full tilt up position. Lock the outboard in place by moving the tilt lock lever to LOCK/RUN position.
- 3 Engage the tilt support lever (a), by rotating knob (b) to bring the support lever upward.
- 4 Lower outboard to rest on the tilt support lever.
- 5 Disengage the tilt support lever by raising the outboard off the support lever and rotating the lever down. Lower the outboard.
- 6 Move tilt lock lever to LOCK/RUN position.



MANUAL TILT SYSTEM

Operating Angle Adjustment

The vertical operating angle of your outboard is adjusted by changing the position of the tilt pin (a) in the four adjustment holes provided. The outboard should be locked against this tilt pin by setting the tilt lock lever to the LOCK/RUN position. Proper adjustment allows the boat to run stable, achieve optimum performance, and minimize steering effort.

Note: Refer to lists on the following page when adjusting the operating angle of your outboard.

The tilt pin should be adjusted so the outboard is positioned to run perpendicular to the water when the boat is running at full speed. This allows the boat to be driven parallel to the water.

Arrange passengers and load in the boat so the weight is distributed evenly.

- 1 Too Much Angle (Stern Down – Bow Up)
- 2 Not Enough Angle (Stern Up – Bow Down)
- 3 Angle Adjusted Properly (Bow Slightly Up)

MANUAL TILT SYSTEM

Operating Angle Adjustment (Continued)

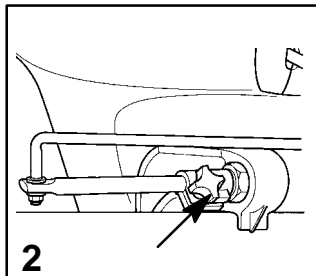
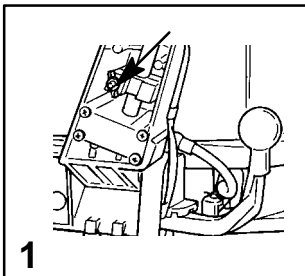
Consider the following lists carefully when adjusting the operating angle of your outboard.

Adjusting the outboard close to the boat transom can:

1. Lower the bow.
2. Result in quicker planing off, especially with a heavy load or a stern heavy boat.
3. Generally improve the ride in choppy water.
4. Increase steering torque or pull to the right (with the normal right hand rotation propeller).
5. In excess, lower the bow of some boats to a point at which they begin to plow with their bow in the water while on plane. This can result in an unexpected turn in either direction called "bow steering" or "over-steering" if any turn is attempted or if a significant wave is encountered.

Adjusting the outboard away from the boat transom can:

1. Lift the bow out of the water.
2. Generally increase top speed.
3. Increase clearance over submerged objects or a shallow bottom.
4. Increase steering torque or pull to the left at a normal installation height (with the normal right hand rotation propeller).
5. In excess, cause boat "porpoising" (bouncing) or propeller ventilation.



FEATURES & CONTROLS

THRUSTLE GRIP FRICTION ADJUSTMENT - TILLER HANDLE MODELS

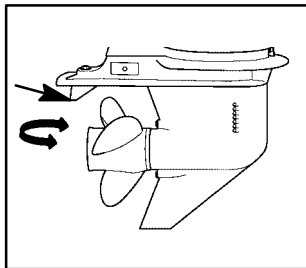
- 1 Turn this wing nut to set and maintain the throttle at desired speed.

STEERING FRICTION ADJUSTMENT – TILLER HANDLE MODELS

- 2 Steering Friction Adjustment – Adjust this knob to achieve the desired steering friction (drag) on the tiller handle.

WARNING

Avoid possible serious injury or death from loss of boat control. Maintain sufficient steering friction to prevent the outboard from steering into a full turn if the tiller handle is released.



TRIM TAB ADJUSTMENT

Propeller steering torque will cause your boat to pull in one direction. This steering torque is a normal thing that results from your outboard not being trimmed so the propeller shaft is parallel to the water surface. The trim tab can help to compensate for this steering torque in many cases and can be adjusted within limits to reduce any unequal steering effort.

Note: Trim tab adjustment will have little effect reducing steering torque if the outboard is installed with the anti-ventilation plate approximately 2 inches (50mm) or more above the boat bottom.

Models Without Power Trim

Operate your boat at normal cruising speed trimmed to desired position by installing the "tilt pin" in the desired tilt pin hole. Turn your boat left and right and note the direction the boat turns more easily.

If adjustment is necessary, loosen trim tab bolt and make small adjustments at a time. If the boat turns more easily to the left, move the trailing edge of trim tab to the left. If the boat turns more easily to the right move the trailing edge of trim tab to the right. Retighten bolt and retest.

Models With Power Trim

Operate your boat at normal cruising speed, trimmed to desired position. Turn your boat left and right and note the direction the boat turns more easily.

If adjustment is necessary, loosen trim tab bolt and make small adjustments at a time. If the boat turns more easily to the left, move the trailing edge of trim tab to the left. If the boat turns more easily to the right move the trailing edge of trim tab to the right. Retighten bolt and retest.

OPERATION

PRE-STARTING CHECK LIST

- Operator knows safe navigation, boating, and operating procedures.
- An approved personal flotation device of suitable size for each person aboard and readily accessible (it is the law).
- A ring type life buoy or buoyant cushion designed to be thrown to a person in the water.
- Know your boats maximum load capacity. Look at the boat capacity plate.
- Fuel supply (oil injection) OK.
- Arrange passengers and load in the boat so the weight is distributed evenly and everyone is seated in a proper seat.
- Tell someone where you are going and when you expect to return.
- It is illegal to operate a boat while under the influence of alcohol or drugs.
- Know the waters and area you will be boating; tides, currents, sand bars, rocks, and other hazards.
- Make inspection checks listed in the Inspection and Maintenance Schedule. Refer to Maintenance Section.

OPERATING IN FREEZING TEMPERATURES

When using your outboard or having your outboard moored in freezing or near freezing temperature, keep the outboard tilted down at all times so the gear case is submerged. This prevents trapped water in gear case from freezing and causing possible damage to the water pump and other components.

If there is a chance of ice forming on the water, the outboard should be removed and drained completely of water. If ice should form at the water level inside the outboard drive shaft housing, it will block water flow to the engine causing possible damage.

OPERATING IN SALT WATER OR POLLUTED WATER

We recommend that you flush the internal water passages of your outboard with fresh water after each use in salt or polluted water. This will prevent a buildup of deposits from clogging the water passages. Refer to "Flushing The Cooling System" procedure in the Maintenance Section.

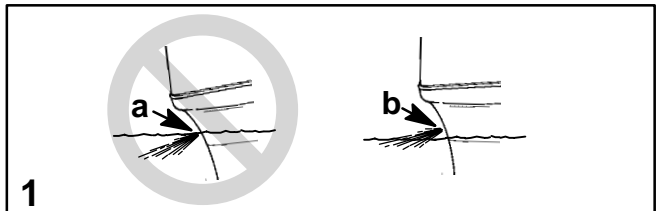
If you keep your boat moored in the water, always tilt the outboard so the gear case is completely out of water (except in freezing temperature) when not in use.

Wash down the outboard exterior and flush out the exhaust outlet of the propeller and gear case with fresh water after each use. Each month, spray Mercury Precision or Quicksilver Corrosion Guard on external metal surfaces (do not spray on corrosion control anodes as this will reduce the effectiveness of the anodes).

OPERATING AT HIGH ELEVATIONS

Operating your outboard at an elevation higher than 2500 ft. (750 m) above sea level may require a carburetor jet change and/or different pitch propeller. Consult your dealer. This will reduce the normal performance loss experienced as a result of reduced oxygen in the air causing an overly rich fuel mixture.

IMPORTANT: To prevent serious damage to the engine caused by a lean fuel mixture, DO NOT operate your outboard (if the jets were changed for high elevation) at a lower elevation unless the jets are changed again to correspond to the new elevation.



SETTING TRIM ANGLE WHILE RUNNING ENGINE AT IDLE SPEED

- 1 Submerging the exhaust relief hole (a) on the outboard can happen on some boats if you trim the outboard "full-in" while running the engine at idle speed. This will cause an exhaust restriction, resulting in rough idle, excessive smoke, and fouled spark plugs. If this condition exists, trim outboard up until exhaust relief hole is out of the water (b). However, the outboard will have to be lowered for accelerating from a standing start or from idle speed.

OPERATION

of49

ENGINE BREAK-IN PROCEDURE

CAUTION

Severe damage to the engine can result by not complying with the Engine Break-in Procedure.

Models With Oil Injection

Engine Break-in Fuel Mixture

Use a 50:1 (2%) gasoline/oil mixture in the first tank of fuel. Use of this fuel mixture combined with oil from the oil injection system will supply adequate lubrication during engine break-in.

Engine Break-in Procedure

Vary the throttle setting during the first hour of operation. During the first hour of operation, avoid remaining at a constant speed for more than two minutes and avoid sustained wide open throttle.

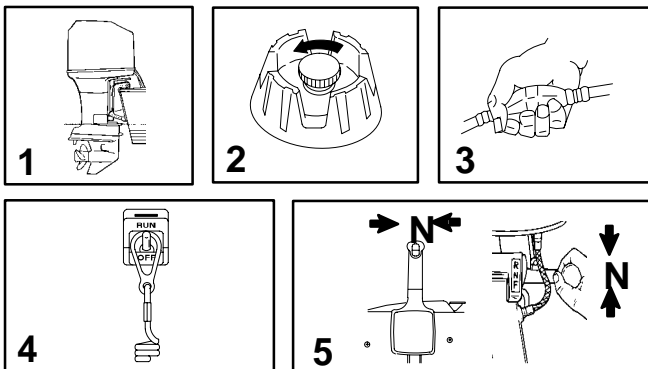
Models Without Oil Injection

Engine Break-in Fuel Mixture

Use a 25:1 (4%) gasoline/oil mixture in the first tank of fuel. After the break-in fuel mixture is used up, use a 50:1 (2%) gasoline/oil mixture.

Engine Break-in Procedure

Vary the throttle setting during the first hour of operation. During the first hour of operation, avoid remaining at a constant speed for more than two minutes and avoid sustained wide open throttle.



of38

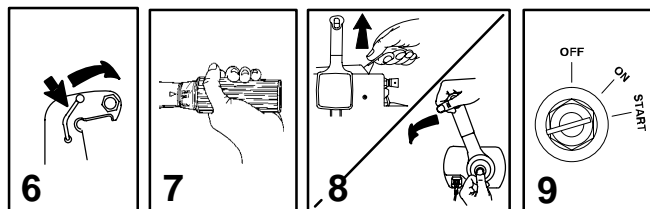
STARTING THE ENGINE

Before starting, read the Pre-Starting Check List, Special Operating Instructions, and Engine Break-in Procedure on the first three pages in the Operation Section.

CAUTION

Never start or run your outboard (even momentarily) without water circulating through all the cooling water intake holes in the gear case to prevent damage to the water pump (running dry) or overheating of the engine.

- 1 Lower the outboard to the run position. Make sure all the cooling water intake holes are submerged.
- 2 Open fuel tank vent screw (in filler cap) on manual venting type tanks.
- 3 Squeeze the fuel line primer bulb several times until it feels firm.
- 4 Set the lanyard stop switch to RUN position. Read the Lanyard Stop Switch safety explanation and Warning in the General Information Section.
- 5 Shift outboard to neutral (N) position.



of47

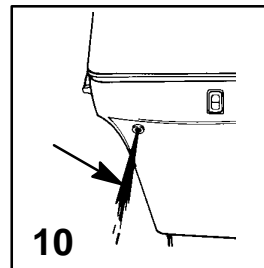
STARTING THE ENGINE (CONTINUED)

- 6 Models without power trim – Position the tilt lock lever to the Lock position.
- 7 Tiller Handle Models – Align the throttle grip pointer with START position.
- 8 Remote Control Models – **If engine is cold**, advance the fast idle speed lever (a) or throttle only feature (b) to an approximate halfway (1/2) setting. After engine start up, immediately adjust neutral fast idle setting so engine speed drops below 2000 RPM. Return back to normal idle speed after engine is warmed up.
- 9 Turn ignition key to START position and start the engine. **If engine is cold**, push in on key to prime the engine while cranking. If engine fails to start in ten seconds, wait 30 seconds and try again. If engine begins to stall, re-prime (push key in) until engine is running smoothly.

Note: Starting Flooded Engine:

Remote Control Models – Advance the fast idle speed lever or throttle only feature to the full maximum position. Without activating primer, crank engine for 10 seconds. Wait 30 seconds and repeat until engine starts. Immediately start to reduce engine speed after engine starts.

Tiller Handle Models – Advance the throttle grip to full throttle speed. Without activating primer, start engine following starting procedure. Immediately start to reduce engine speed after engine starts.



of54

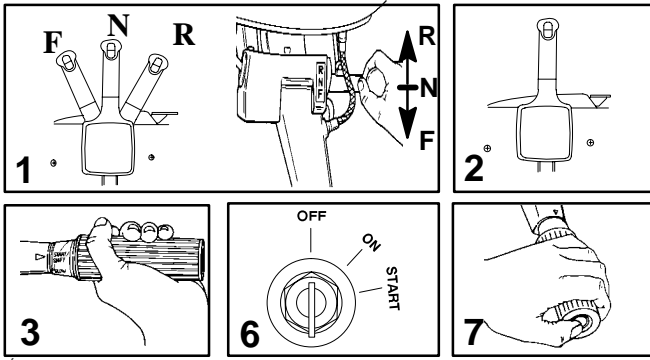
STARTING THE ENGINE (CONTINUED)

WARNING

RAPID ACCELERATION HAZARD - Tiller Handle Models – Before shifting your outboard from neutral into gear, decrease engine speed to slow. This will prevent a rapid acceleration that can cause people in the boat to be thrown from their seats or out of the boat, causing injury or death.

- 10 Check for a steady stream of water flowing out of the water pump indicator hole.

IMPORTANT: If no water is coming out of the water pump indicator hole, stop engine and check cooling water intake holes for obstruction. No obstruction may indicate a water pump failure or blockage in the cooling system. These conditions will cause the engine to overheat. Have the outboard checked by your dealer. Operating the engine while overheated will cause engine damage.



OPERATION

of4 GEAR SHIFTING

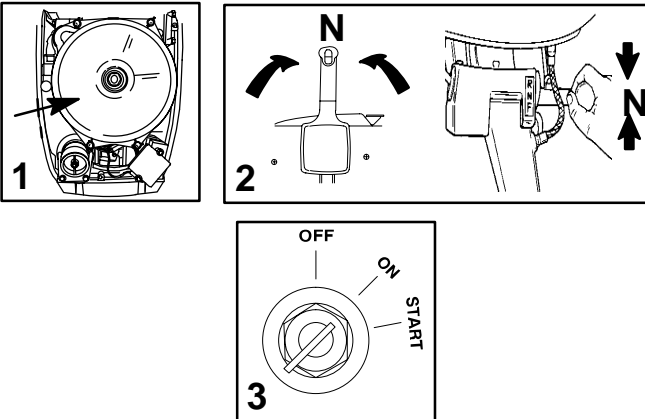
IMPORTANT: Observe the following:

- Never shift outboard into gear unless engine speed is at idle.
- Do not shift outboard into Reverse when the engine is not running.

- 1 Your outboard has three gear shift positions to provide operation: Forward (F), Neutral (out of gear), and Reverse (R).
- 2 **Remote Control Models** – When shifting, always stop at neutral position and allow the engine speed to return to idle.
- 3 **Tiller Handle Models** – Reduce engine speed to idle before shifting.
- 4 Always shift outboard into gear with a quick motion.
- 5 After shifting outboard into gear, advance the remote control lever or rotate the throttle grip (tiller handle) to increase speed.

ofm3 STOPPING THE ENGINE

- 6 **Remote Control Models** – Reduce engine speed and shift outboard to neutral position. Turn ignition key to OFF position.
- 7 **Tiller Handle Models** – Reduce engine speed and shift outboard to neutral position. Push in the engine stop button or turn ignition key to OFF position.



ofp8 EMERGENCY STARTING

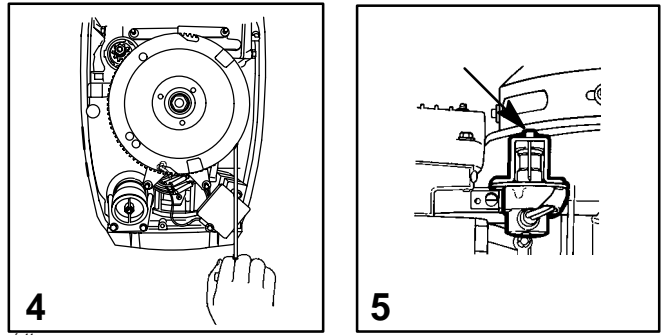
If the starter system fails, use the spare starter rope (provided) and follow procedure.

- 1 Remove flywheel cover.
- 2 Shift outboard to neutral (N) position.

WARNING

When using emergency starter rope to start engine, the start-in-gear protection provided by the neutral interlock switch is inoperative. Make sure to set the outboard gear shift into neutral to prevent outboard from starting in gear. Sudden unexpected acceleration could result in serious injury or death.

- 3 Turn the ignition key to ON position.



olp11 EMERGENCY STARTING

WARNING

To prevent getting an electrical shock, **DO NOT** touch any ignition component, wiring, or spark plug wire when starting or running the engine.

WARNING

The exposed moving flywheel can cause serious injury. Keep your hands, hair, clothing, tools, and other objects away from engine when starting or running the engine. Do not attempt to reinstall the flywheel cover or top cowl when engine is running.

- 4 Place the starter rope knot into the flywheel notch and wind the rope clockwise around the flywheel.
- 5 If engine is cold, hold the fuel primer button in and pump up the fuel pressure with the fuel line primer bulb.
- 6 Pull the starter rope to start the engine.
- 7 After engine has started, do not reinstall the flywheel cover or top cowl.

oh4 MAINTENANCE

oh4 OUTBOARD CARE

To keep your outboard in the best operating condition, it is important that your outboard receive the periodic inspections and maintenance listed in the Inspection and Maintenance Schedule. We urge you to keep it maintained properly to ensure the safety of you and your passengers and retain its dependability.

WARNING

Neglected inspection and maintenance service of your outboard or attempting to perform maintenance or repair on your outboard if you are not familiar with the correct service and safety procedures could cause personal injury, death, or product failure.

Record maintenance performed in Maintenance Log at the back of this book. Save all maintenance work orders and receipts.

SELECTING REPLACEMENT PARTS FOR YOUR OUTBOARD

We recommend using original Mercury Precision or Quicksilver replacement parts and Genuine Lubricants.

WARNING

Using a replacement part that is inferior to the original part could result in personal injury, death, or product failure.

MAINTENANCE

o18

EMISSION CERTIFICATION LABEL

An emission certification label, showing emission levels and engine specifications directly related to emissions, is placed on the engine at time of manufacture.

MERCURY		EMISSION CONTROL INFORMATION	
This engine conforms to <input type="checkbox"/> model year EPA regulations for Marine SI engines. Refer to Owner's Manual for required maintenance.			
a	IDLE SPEED: <input type="text"/>	FAMILY: <input type="text"/>	f
b	<input type="text"/> hp <input type="text"/> cc	FEL: <input type="text"/> g kWh	g
c	TIMING (IN DEGREES): <input type="text"/>		h
d	Standard spark plug: <input type="text"/>		i
	Suppressor spark plug: <input type="text"/>		
	GAP: <input type="text"/>		
e	Valve Clearance (Cold) mm <input type="text"/>	Intake <input type="text"/>	
		Exhaust <input type="text"/>	

- | | |
|------------------------------------|--|
| a. Idle Speed | f. Family Number |
| b. Engine Horsepower | g. Maximum Emission Output for the Engine Family |
| c. Timing Specification | h. Piston Displacement |
| d. Recommended Spark Plug & Gap | i. Date of Manufacture |
| e. Valve Clearance (if Applicable) | |

o17

OWNER RESPONSIBILITY

The owner/operator is required to have engine maintenance performed to maintain emission levels within prescribed certification standards.

The owner/operator is not to modify the engine in any manner that would alter the horsepower or allow emissions levels to exceed their predetermined factory specifications.

o19

INSPECTION AND MAINTENANCE SCHEDULE

Before Each Use

1. Check that lanyard stop switch stops the engine.
2. Visually inspect the fuel system for deterioration or leaks.
3. Check outboard for tightness on transom.
4. Check steering system for binding or loose components.
5. Visually check steering link rod fasteners for proper tightness. (page 76)
6. Check propeller blades for damage.

After Each Use

1. Flush out the outboard cooling system if operating in salt or polluted water. (pages 71 and 72)
2. Wash off all salt deposits and flush out the exhaust outlet of the propeller and gear case with fresh water if operating in salt water.

Every 100 Hours of Use or Once yearly, Whichever occurs first

1. Lubricate all lubrication points. Lubricate more frequently when used in salt water. (page 81)
2. Inspect and clean spark plugs. (page 80)
3. Check engine fuel filter for contaminants. (pages 74 and 75)
4. Adjust carburetor(s) (if required).*
5. Check engine timing setup.*
6. Check corrosion control anodes. Check more frequently when used in salt water. (page 77)

* These items should be serviced by a authorized dealer.

Every 100 Hours of Use or Once yearly, Whichever occurs first

7. Drain and replace gear case lubricant. (page 83)
8. Lubricate splines on the drive shaft.*
9. Check power trim fluid. (page 82)
10. Inspect battery. (page 80)
11. Check control cable adjustments.*
12. Remove engine deposits with Mercury Precision or Quicksilver Power Tune Engine Cleaner.
13. Check tightness of bolts, nuts, and other fasteners.

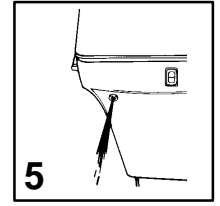
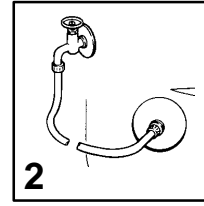
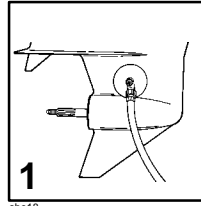
Every 300 Hours of Use or Three Years

1. Replace water pump impeller (more often if overheating occurs or reduced water pressure is noted).*

Before Periods of Storage

1. Refer to Storage procedure. (page 85)

* These items should be serviced by an authorized dealer.



o18

FLUSHING THE COOLING SYSTEM

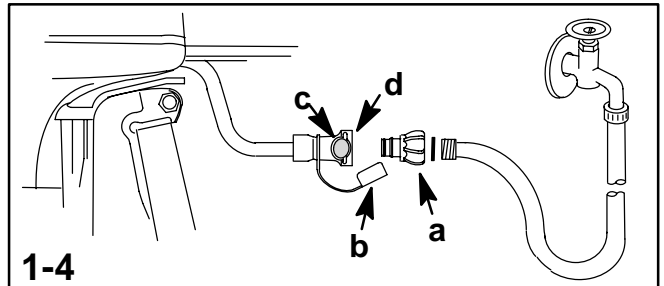
Flush the internal water passages of the outboard with fresh water after each use in salt, polluted, or muddy water. This will help prevent a buildup of deposits from clogging the internal water passages.

Use a Mercury Precision or Quicksilver accessory (or equivalent) flushing attachment.

WARNING

To avoid possible injury when flushing, remove the propeller. Refer to Propeller Replacement.

- 1 Remove propeller (refer to Propeller Replacement). Install the flushing attachment so the rubber cups fit tightly over the cooling water intake holes.
- 2 Attach a water hose to the flushing attachment. Turn on the water and adjust the flow so water is leaking around the rubber cups to ensure the engine receives an adequate supply of cooling water.
- 3 Start the engine and run it at idle speed in neutral shift position.
- 4 Adjust water flow (if necessary) so excess water continues leaking out from around the rubber cups to ensure the engine is receiving an adequate supply of cooling water.
- 5 Check for a steady stream of water flowing out of the water pump indicator hole. Continue flushing the outboard for 3 to 5 minutes, carefully monitoring water supply at all times.
- 6 Stop the engine, turn off the water, and remove the flushing attachment. Reinstall the propeller.



o14

FLUSHING THE COOLING SYSTEM – MODELS WITH HOSE FLUSH ATTACHMENT

Flush the internal water passages of the outboard with fresh water after each use in salt, polluted, or muddy water. This will help prevent a buildup of deposits from clogging the internal water passages.

- 1 Thread a water hose into hose adaptor (a).
- 2 Remove dust cover (b) and push the hose adaptor into the flush connector (c) until it locks (snaps) in place.
- 3 Turn on the water and flush the cooling system for a minimum of 3 minutes.

Note: Engine can be stopped or running at idle speed in neutral when flushing the cooling system. Do not flush engine using a water system that exceeds 45 psi.

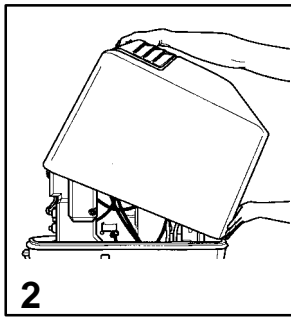
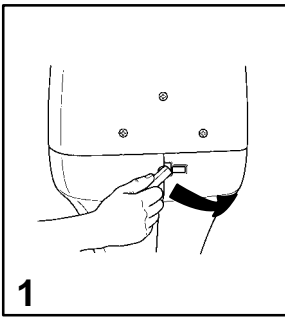
- 4 Push button (d) in to release the hose adaptor. Reinstall the dust cover.

Note: The hose adaptor shuts off the water flow whenever it is disconnected from the flush connector.

Freezing temperature

The water should be drained out of the engine flush hose if there is a chance of freezing temperature. Drain water as follows:

Remove water hose from the hose adaptor. Insert the adaptor only into the flush connector. Tilt the outboard up until all the water as drained out of the hose.



MAINTENANCE

TOP COWL REMOVAL AND INSTALLATION

Removal

- 1 Unlock the rear latch by pushing lever down.
- 2 Lift rear of cowl and disengage front hook.

Installation

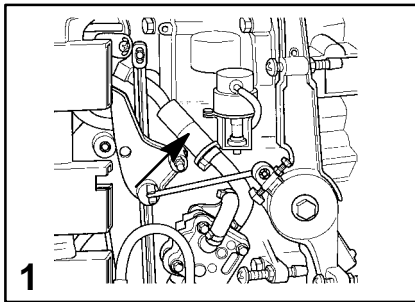
Engage the front hook and push cowl back over the cowl seal. Push cowl down and move the rear latch lever up to lock.

BATTERY INSPECTION

The battery should be inspected at periodic intervals to ensure proper engine starting capability.

IMPORTANT: Read the safety and maintenance instructions which accompany your battery.

1. Turn off the engine before servicing the battery.
2. Add water as necessary to keep the battery full.
3. Make sure the battery is secure against movement.
4. Battery cable terminals should be clean, tight, and correctly installed. Positive to positive and negative to negative.
5. Make sure the battery is equipped with a nonconductive shield to prevent accidental shorting of battery terminals.



FUEL SYSTEM

WARNING

Avoid serious injury or death from gasoline fire or explosion. Carefully follow all fuel system service instructions. Always stop the engine and DO NOT smoke or allow open flames or sparks in the area while servicing any part of the fuel system.

Before servicing any part of the fuel system, stop engine and disconnect the battery. Drain the fuel system completely. Use an approved container to collect and store fuel. Wipe up any spillage immediately. Material used to contain spillage must be disposed of in an approved receptacle. Any fuel system service must be performed in a well ventilated area. Inspect any completed service work for signs of fuel leakage.

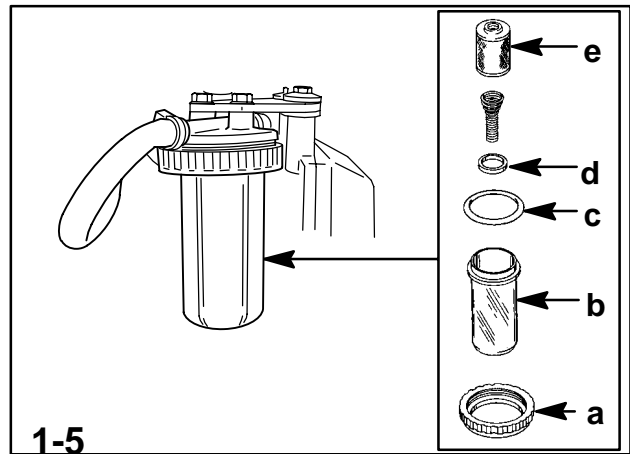
Fuel Line Filter

- 1 Inspect the fuel line filter. If the filter appears to be contaminated, remove and replace.

IMPORTANT: Visually inspect for fuel leakage from the filter connections by squeezing the primer bulb until firm, forcing fuel into the filter.

Fuel Line Inspection

Visually inspect the fuel line and primer bulb for cracks, swelling, leaks, hardness, or other signs of deterioration or damage. If any of these conditions is found, the fuel line or primer bulb must be replaced.



FUEL SYSTEM (CONTINUED)

Fuel line Filter – Non-Oil injected models

Inspect the sight bowl (b) for water accumulation. The sight bowl is equipped with a float (d) that floats on water. Also inspect the filter element (e) for sediment. Clean filter as follows.

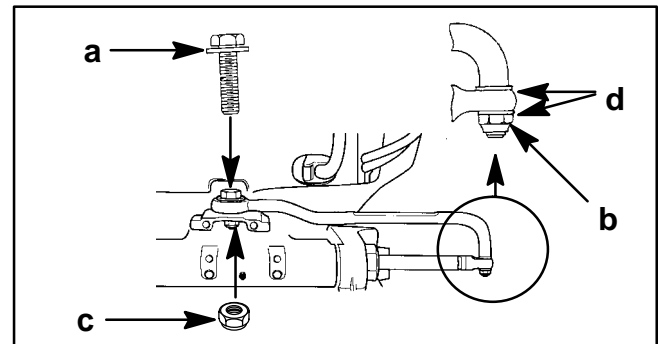
Removal

- 1 Turn the engine off.
- 2 Turn off cap (a) and remove the sight bowl.
- 3 Remove the filter element (e) and wash it with cleaning solvent.

Installation

- 4 Reinstall filter element (open end up).
- 5 Place the O-ring seal (c) onto the sight bowl and reinstall sight bowl with cap. Tighten cap securely.

IMPORTANT: Visually inspect for fuel leakage from the filter by squeezing the primer bulb until firm, forcing fuel into the filter.



STEERING LINK ROD FASTENERS

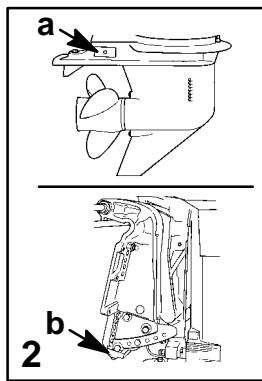
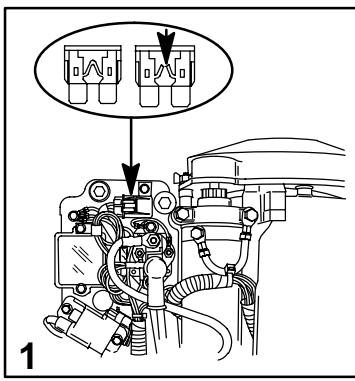
IMPORTANT: The steering link rod that connects the steering cable to the engine must be fastened using special washer head bolt ("a" – Part Number 10-14000) and self locking nylon insert locknuts ("b" & "c" – Part Number 11-34863). These locknuts must never be replaced with common nuts (non locking) as they will work loose and vibrate off freeing the link rod to disengage.

WARNING

Disengagement of a steering link rod can result in the boat taking a full, sudden, sharp turn. This potentially violent action can cause occupants to be thrown overboard exposing them to serious injury or death.

Assemble steering link rod to steering cable with two flat washers (d) and self locking nylon insert locknut ("b" – Part Number 11-34863). Tighten locknut (b) until it seats, then back nut off 1/4 turn.

Assemble steering link rod to engine with special washer head bolt ("a" – Part Number 10-14000) and self locking nylon insert locknut ("c" – Part Number 11-34863). First torque bolt (a) to 20 lb. ft. (27.1 N-m), then torque locknut (c) to 20 lb. ft. (27.1 N-m).



MAINTENANCE

FUSE REPLACEMENT

IMPORTANT: Always carry spare SFE 20 AMP fuses.

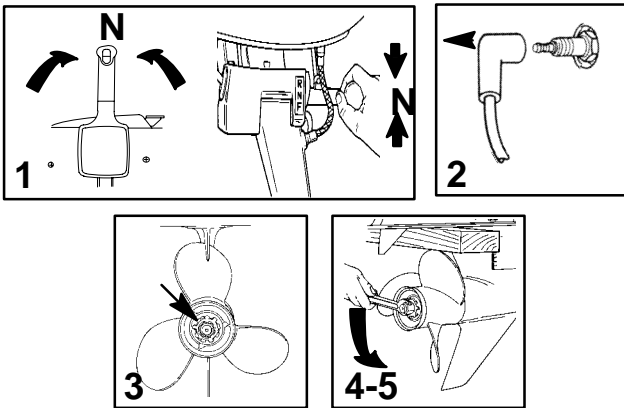
The electric starting circuit is protected from overload by an SFE 20 AMP fuse. If the fuse is blown, the electric starter motor will not operate. Try to locate and correct the cause of the overload. If the cause is not found, the fuse may blow again.

- 1 Open the fuse holder and look at the silver colored band inside the fuse. If band is broken, replace the fuse. Replace fuse with a new fuse with the same rating.

CORROSION CONTROL ANODE

- 2 The gear case has two corrosion control anodes (a). Another anode (b) is installed on the bottom of the transom bracket assembly. An anode helps protect the outboard against galvanic corrosion by sacrificing its metal to be slowly eroded instead of the outboard metals.

Each anode requires periodic inspection especially in salt water which will accelerate the erosion. To maintain this corrosion protection, always replace the anode before it is completely eroded. Never paint or apply a protective coating on the anode as this will reduce effectiveness of the anode.

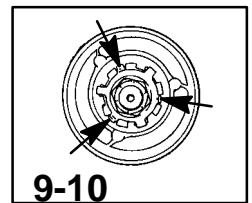
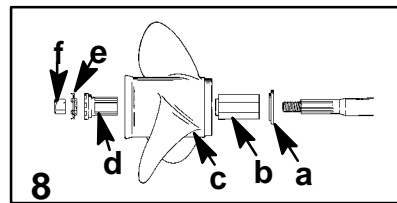
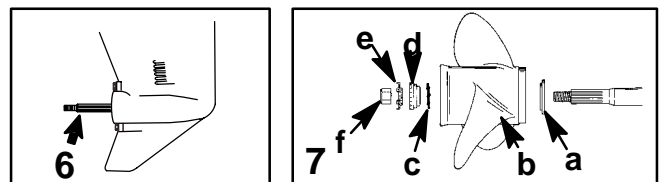


PROPELLER REPLACEMENT

⚠ WARNING

If the propeller shaft is rotated while the engine is in gear, there is the possibility that the engine will crank over and start. To prevent this type of accidental engine starting and possible serious injury caused from being struck by a rotating propeller, always shift outboard to neutral position and remove spark plug leads when you are servicing the propeller.

- 1 Shift outboard to neutral (N) position.
- 2 Remove spark plug leads to prevent engine from starting.
- 3 Straighten the bent tabs on the propeller nut retainer.
- 4 Place a block of wood between gear case and propeller to hold propeller and remove propeller nut.
- 5 Pull propeller straight off shaft. If propeller is seized to the shaft and cannot be removed, have the propeller removed by an authorized dealer.

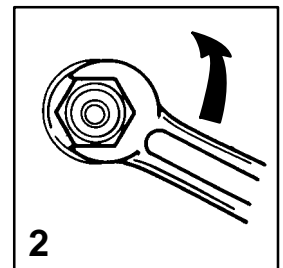
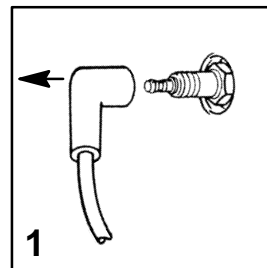


PROPELLER REPLACEMENT

- 6 Coat the propeller shaft with Quicksilver or Precision Lubricants Anti-Corrosion Grease or 2-4-C Marine Lubricant with Teflon.

IMPORTANT: To prevent the propeller hub from corroding and seizing to the propeller shaft, especially in salt water, always apply a coat of the recommended lubricant to the entire propeller shaft at the recommended maintenance intervals and also each time the propeller is removed.

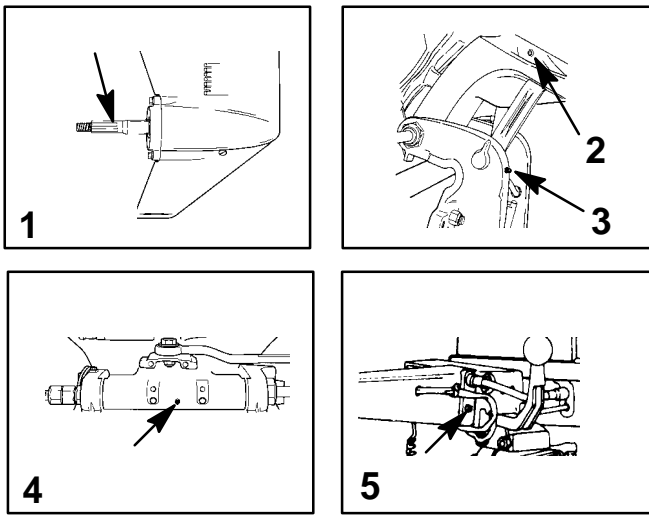
- 7 **Flo-Torq I Drive Hub Propellers** – Install thrust washer (a), propeller (b), continuity washer (c), thrust hub (d), propeller nut retainer (e), and propeller nut (f) onto the shaft.
- 8 **Flo-Torq II Drive Hub Propellers** – Install forward thrust hub (a), replaceable drive sleeve (b), propeller (c), thrust hub (d), propeller nut retainer (e) and propeller nut (f) onto the shaft.
- 9 Place a block of wood between gear case and propeller and torque propeller nut to 55 lb. ft. (75 N-m).
- 10 Secure propeller nut by bending three of the tabs into the thrust hub grooves.



SPARK PLUG INSPECTION

Inspect spark plugs at the recommended intervals.

- 1 Remove the spark plug leads by twisting the rubber boots slightly and pull off. Inspect spark plug boots and replace if cracked.
- 2 Remove the spark plugs to inspect and clean. Replace spark plug if electrode is worn or the insulator is rough, cracked, broken, blistered, or fouled.
- 3 Before reinstalling spark plugs, clean away dirt on the spark plug seats. Install plugs finger tight, and tighten 1/4 turn or torque to 20 lb. ft. (27 N-m).



MAINTENANCE

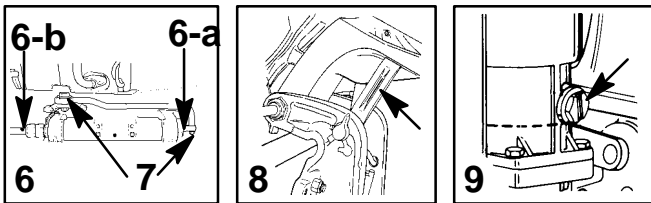
LUBRICATION POINTS

Lubricate Point 1 with Quicksilver or Mercury Precision Lubricants Anti-Corrosion Grease or 2-4-C Marine Lubricant with Teflon

1 Propeller Shaft – Refer to Propeller Replacement for removal and installation of the propeller. Coat the entire propeller shaft with lubricant to prevent the propeller hub from corroding and seizing to the shaft.

Lubricate Points 2 thru 6 with Quicksilver or Mercury Precision Lubricants 2-4-C Marine Lubricant with Teflon or Special Lubricant 101.

- 2 Swivel Bracket – Lubricate through fitting.
- 3 Tilt Support Lever – Lubricate through fitting.
- 4 Tilt Tube – Lubricate through fitting.
- 5 Tiller Handle – Lubricate through fitting.



LUBRICATION POINTS (CONTINUED)

6 Steering Cable Grease Fitting (If Equipped) – Rotate steering wheel to fully retract the steering cable end (a) into the outboard tilt tube. Lubricate through fitting (b).

WARNING

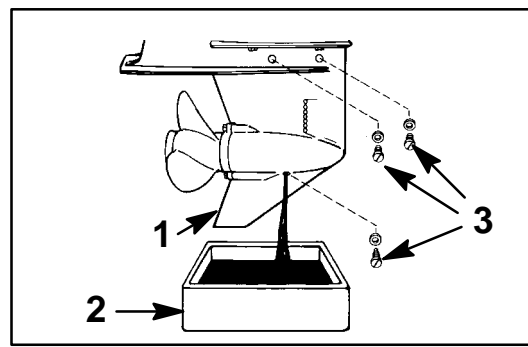
The end of the steering cable must be fully retracted into the outboard tilt tube before adding lubricant. Adding lubricant to steering cable when fully extended could cause steering cable to become hydraulically locked. An hydraulically locked steering cable will cause loss of steering control, possibly resulting in serious injury or death.

Lubricate Points 7 With Light Weight Oil.

7 Steering Link Rod Pivot Points – Lubricate points.

CHECKING POWER TRIM FLUID

- 8 Tilt outboard to the full up position and engage the tilt support lock.
- 9 Remove fill cap and check fluid level. The fluid level should be even with the bottom of the fill hole. Add Quicksilver or Mercury Precision Lubricants Power Trim & Steering Fluid. If not available, use automotive (ATF) automatic transmission fluid.



GEAR CASE LUBRICATION

When adding or changing gear case lubricant, visually check for the presence of water in the lubricant. If water is present, it may have settled to the bottom and will drain out prior to the lubricant, or it may be mixed with the lubricant, giving it a milky colored appearance. If water is noticed, have the gear case checked by your dealer. Water in the lubricant may result in premature bearing failure or, in freezing temperatures, will turn to ice and damage the gear case.

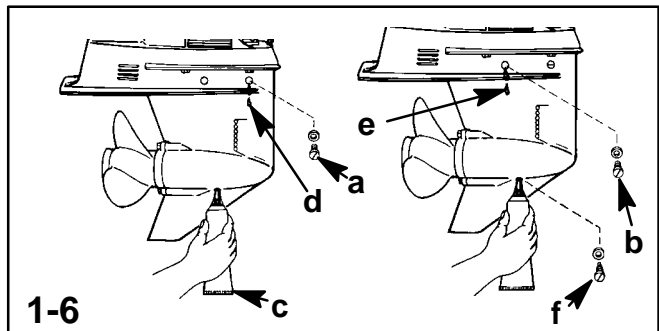
Examine the gear case lubricant for metal particles. A small amount of metal filings or fine metal particles indicates normal gear wear. An excessive amount of metal filings or larger particles (chips) may indicate abnormal gear wear and should be checked by an authorized dealer.

Draining Gear Case

- 1 Place outboard in a vertical operating position.
- 2 Place drain pan below outboard.
- 3 Remove fill/drain plug and vent plugs and drain lubricant.

Gear Case Lubricant Capacity

Gear case lubricant capacity is approximately 22.5 fl. oz. (666 ml).



GEAR CASE LUBRICATION (CONTINUED)

Checking Lubricant Level and Filling Gear Case

- 1 Place outboard in a vertical operating position.
- 2 Remove the front vent plug (a) and rear vent plug (b).
- 3 Place lubricant tube (c) into the fill hole and add lubricant until it appears at the front vent hole (d). At this time install the front vent plug and sealing washer (a).
- 4 Continue adding lubricant until it appears at the rear vent hole (e).
- 5 Stop adding lubricant. Install the rear vent plug and sealing washer (b) before removing lubricant tube.
- 6 Remove lubricant tube and reinstall cleaned fill/drain plug and sealing washer (f).

SUBMERGED OUTBOARD

A submerged outboard will require service within a few hours by an authorized dealer once the outboard is recovered from the water. This immediate attention by a servicing dealer is necessary once the engine is exposed to the atmosphere to minimize internal corrosion damage to the engine.

STORAGE

STORAGE PREPARATION

The major consideration in preparing your outboard for storage is to protect it from rust, corrosion, and damage caused by freezing of trapped water.

The following storage procedures should be followed to prepare your outboard for out of season storage or prolonged storage (two months or longer).

CAUTION

Never start or run your outboard (even momentarily) without water circulating through all the cooling water intake holes in the gear case to prevent damage to the water pump (running dry) or overheating of the engine.

Fuel system

IMPORTANT: Gasoline containing alcohol (ethanol or methanol) can cause a formation of acid during storage and can damage the fuel system. If the gasoline being used contains alcohol, it is advisable to drain as much of the remaining gasoline as possible from the fuel tank, remote fuel line, and engine fuel system.

Fill the fuel system (tank, hoses, fuel pump, and carburetor) with treated (stabilized) fuel to help prevent formation of varnish and gum. Proceed with following instructions.

1. Portable Fuel Tank – Pour the required amount of Gasoline Stabilizer (follow instructions on container) into fuel tank. Tip fuel tank back and forth to mix stabilizer with the fuel.
2. Permanently Installed Fuel Tank – Pour the required amount of Gasoline Stabilizer (follow instructions on container) into a separate container and mix with approximately one quart (one liter) of gasoline. Pour this mixture into fuel tank.
3. Place the outboard in water or connect flushing attachment for circulating cooling water. Run the engine for ten minutes to allow treated fuel to reach the carburetor.

Protecting External Outboard Components

4. Lubricate all outboard components listed in the Inspection and Maintenance Schedule.
5. Touch up any paint nicks. See your dealer for touch-up paint.
6. Spray Quicksilver or Mercury Precision Lubricants Corrosion Guard on external metal surfaces (except corrosion control anodes).

Protecting Internal Engine Components

Note: Before performing Steps 7 and 8, make sure the fuel system has been prepared for storage. Refer to Fuel System on previous page.

7. Place the outboard in water or connect flushing attachment for circulating cooling water. Start the engine and let it run in neutral to warm up.
8. With engine running at fast idle, stop the fuel flow by disconnecting the remote fuel line. When engine begins to stall, quickly spray Quicksilver or Mercury Precision Lubricants Storage Seal into carburetor until engine stops from lack of fuel.
9. Remove the spark plugs and inject a five second spray of Storage Seal around the inside of each cylinder.
10. Rotate the flywheel manually several times to distribute the storage seal in the cylinders. Reinstall spark plugs.

Gear Case

11. Drain and refill the gear case lubricant (refer to maintenance procedure).

Draining Hose Flush Attachment (If Equipped)

12. If your outboard is stored in freezing temperatures, the hose and flush attachment should be drained of water. Refer to procedure in Flushing The Cooling System – Models with Hose Flush Attachment.

Positioning Outboard for Storage

Store outboard in an upright (vertical) position to allow water to drain out of outboard.

CAUTION

If outboard is stored tilted up in freezing temperature, trapped cooling water or rain water that may have entered the propeller exhaust outlet in the gear case could freeze and cause damage to the outboard.

Battery Storage

1. Follow the battery manufacturers instructions for storage and recharging.
2. Remove the battery from the boat and check water level. Recharge if necessary.
3. Store the battery in a cool, dry place.
4. Periodically check the water level and recharge the battery during storage.

TROUBLESHOOTING

1 STARTER MOTOR WILL NOT CRANK THE ENGINE

Possible Causes

- Remote control models – Blown 20 Amp fuse in the starting circuit. Refer to Maintenance Section.
- Outboard is not shifted to neutral position.
- Weak battery or battery connections are loose or corroded.
- Ignition key switch failure.
- Wiring or electrical connection faulty.
- Starter motor or starter solenoid failure.

2 ENGINE WILL NOT START

- Lanyard stop switch not in RUN position.
- Incorrect starting procedure. Refer to Operating Section.
- Old or contaminated gasoline.
- Engine flooded. Refer to Operating Section.
- Fuel is not reaching the engine.
 - a. Fuel tank is empty.
 - b. Fuel tank vent not open or restricted.
 - c. Fuel line is disconnected or kinked.
 - d. Primer bulb not squeezed.
 - e. Primer bulb check valve is faulty.
 - f. Fuel filter is obstructed. Refer to Maintenance Section.
 - g. Fuel pump failure.
 - h. Fuel tank filter obstructed.
- Ignition system component failure
- Spark plugs fouled or defective. Refer to Maintenance Section.

3 ENGINE RUNS ERRATICALLY

Possible Causes

- Spark plugs fouled or defective. Refer to Maintenance Section.
- Incorrect setup and adjustments.
- Fuel is being restricted to the engine.
 - a. Engine Fuel filter is obstructed. Refer to Maintenance Section.
 - b. Fuel tank filter obstructed.
 - c. Stuck anti-siphon valve located on permanently built-in type fuel tanks.
 - d. Fuel line is kinked or pinched.
- Fuel pump failure.
- Ignition system component failure.

4 PERFORMANCE LOSS

Possible Causes

- Throttle not fully open.
- Damaged or improper size propeller.
- Incorrect engine timing, adjustments, or setup.
- Boat overloaded or load improperly distributed.
- Excessive water in bilge.
- Boat bottom is dirty or damaged.

5 BATTERY WILL NOT HOLD CHARGE

Possible Causes

- Battery connections are loose or corroded.
- Low electrolyte level in battery.
- Worn out or inefficient battery.
- Excessive use of electrical accessories.
- Defective rectifier, alternator, or voltage regulator.

or

OWNER SERVICE ASSISTANCE

eor6

LOCAL REPAIR SERVICE

Always return your outboard to your local authorized dealer should the need for service arise. Only he has the factory-trained mechanics, knowledge, special tools and equipment and the genuine parts and accessories to properly service your engine should the need occur. He knows your engine best.

eor2

SERVICE AWAY FROM HOME

If you are away from your local dealer and the need arises for service, contact the nearest authorized dealer. Refer to the Yellow Pages of the telephone directory. If, for any reason, you cannot obtain service, contact the nearest Mercury Marine (International) Marine Power Service Office

or7

PARTS AND ACCESSORIES INQUIRES

All inquiries concerning genuine replacement parts and accessories should be directed to your local authorized dealer. The dealer has the necessary information to order parts and accessories for you. When inquiring on parts and accessories, the dealer requires the model and serial number to order the correct parts.

eor4

SERVICE ASSISTANCE

Your satisfaction with your outboard product is very important to your dealer and to us. If you ever have a problem, question or concern about your outboard product, contact your dealer or any Authorized Dealership. If additional assistance is required, take these steps.

- 1 *Talk with the dealership's sales manager or service manager. If this has already been done, then contact the owner of the dealership.*
- 2 *Should you have a question, concern or problem that cannot be resolved by your dealership, please contact Mercury Marine Service Office (International) Marine Power branch or distributor Service for assistance. They will work with your dealership to resolve all problems.*

The following information will be needed by the service office:

- Your name and address
- Daytime telephone number
- Model and serial number of your outboard
- The name and address of your dealership
- Nature of problem

Mercury Marine Service Offices are listed on the next page.

or

OWNER SERVICE ASSISTANCE

or

MERCURY MARINE SERVICE OFFICES

For assistance, call, fax, or write. *Please include your daytime telephone number with mail and fax correspondence.*

		
United States		
(920) 929-5040	(920) 929-5893	Mercury Marine W6250 W. Pioneer Road, P.O. Box 1939 Fond du Lac, WI 54936-1939, USA
Canada		
(905) 567-6372	(905) 567-8515	Mercury Marine Ltd. 2395 Meadowpine Blvd. Mississauga, Ontario Canada L5N 7W6
Australia, Pacific		
(61) (3) 9791-5822	(61) (3) 9793-5880	Mercury Marine Australia 132-140 Frankston Road Dandenong, Victoria 3164, Australia
Europe, Middle East, Africa		
(32) (87) 32 • 32 • 11	(32) (87) 31 • 19 • 65	Marine Power - Europe, Inc. Parc Industriel de Petit-Rechain B-4800 Verviers, Belgium
Mexico, Central America, South America, Caribbean		
(305) 385-9585	(305) 385-5507	Mercury Marine - Latin America & Caribbean 9010 S.W. 137th Ave., Suite 226 Miami, FL 33186 U.S.A.
Japan		
81-53-423-2000	81-53-423-2510	Mercury Marine - Japan 283-1 Anshin-cho Hamamatsu, Shizuoka, 435-0005 Japan
Asia, Singapore		
5466160	5467789	Mercury Marine Singapore 72 Loyang Way Singapore 508762

